

3 Installation

The information provided within this chapter may assist the contractor to install the Firestone EPDM Systems in accordance with Firestone's requirements. It may also help him and the designer to inspect the completed installation. For a more practical use, we collected the information in a chronological order. Each phase of the installation is illustrated with one or more 3-dimensional drawings. The reader may consult the 2-dimensional illustrations in chapter 5 when additional information is required.

This chapter contains the following sections:

1	Membrane Installation	p. 3. 3
2	Splicing	p. 3. 14
3	Base Tie-in	p. 3. 32
4	Wall Flashing	p. 3. 38
5	Corners	p. 3. 44
6	Pipe Penetrations	p. 3. 51
7	Drains and Scuppers.	p. 3. 58
8	Expansion Joints.	p. 3. 62
9	Roof Edges.	p. 3. 64
10	Wall Terminations.	p. 3. 67
11	Membrane Repair	p. 3. 71
12	Miscellaneous.	p. 3. 73





3.1 Membrane Installation

3.1.1 Membrane Installation - General

Firestone recommends for each system the following panel widths.

System	Panel width (m)
Ballasted-Inverted	3.05 - 6.10 - 7.62 - 9.15 - 12.20 - 15.25
Fully Adhered	3.05 - 5.08 - 6.10
R.M.A.	5.08 - 6.10 - 9.15
M.A.S.	6.10 - 7.62 - 9.15 - 12.20
B.I.S.	2.28 - 3.05

However, cold weather can affect the workability of the membrane. Specifically, the low talc coating and tight, firm packaging of the membrane may extend the time required for the membrane to relax during winter months.

For Fully Adhered systems, fold lines remaining in the membrane during cold weather installation will make smooth bonding to the substrate difficult. Firestone therefore recommends to utilize standard 3.05 m or 5.08 m wide fold-free panels.

R.M.A. systems also can be affected by cold weather, when using large panels that must be unfolded. Firestone recommends for cold weather applications the use of fold-free (up to 5.08 m wide) or one-fold panels (up to 9.15 m wide).

Prior to the installation of the roofing membrane, the contractor must check if the roof substrate complies with Firestone's design instructions. Any defects in the substrate need to be corrected and the final surface has to be prepared to meet the requirements previously outlined. It is important that the substrate is free of any sharp objects and/or products that may damage the membrane. Wipe the substrate and install a protection fleece when required.

Place the EPDM roll as close as possible to its final position. It is easier to locate the roll in this position than to have to reposition the EPDM panels after they have been unrolled. The direction for unrolling the sheet is marked on the wrapper.

Inspect the wrapper and EPDM roll for damage before and during the installation. All membranes shall be unrolled, unfolded and positioned over the roof substrate without stretching. The panels can be moved sideways over the substrate by floating and allowing air underneath. Prior to any attachment, cutting or splicing, each panel shall be allowed to relax a minimum of 30 minutes. Bigger panels (12.20 – 15.25 m wide) or cold weather application require more time (45 min.) for relaxation. Cut a cross-shaped opening above every drain to evacuate excess of ponding water, in case of sudden rainfall.



The EPDM panels shall be installed in a fashion so that field and flashing splices are installed to shed water. Straight cuts are very important for a neat and easy application. Firestone recommends to use scissors, markers and chalklines to achieve this. Do not use cutters.

Allow ample material for splicing with the overlap of adjoining sheets determined by the type of seam and tie-ins. The tie-in material will be determined by the applicable detail. Provide an extra 150 mm of membrane at roof edges and wall terminations to facilitate final positioning.

Temporary ballasting during installation may be required to keep the membrane in place until it is secured to the substrate. Suggested temporary ballasting includes sand bags and other non-abrasive materials such as rubber tires, etc. Never leave the project without temporary ballasting the loose laid sheets.

3.1.2 Membrane Installation With Ballast

■ Applicability

This technique is applicable for ballasted and inverted systems.

■ Installation Instructions

Position adjoining sheets with a minimum overlap of 100 mm and allow to relax. Cover loosely laid roofing sections as soon as possible with:

- Gravel, in the form of round, smooth, river washed aggregate without broken pieces of adequate size (nominal 16-32 mm). Make sure that the roofing membrane is completely covered. A ballast of minimum 50 kg/m² is required. However this may not always provide complete membrane coverage or meet local requirements.
- Graduated, crushed gravel. This type of ballast contains broken pieces and may damage the EPDM membrane during installation. Firestone therefore recommends installing a geotextile (min. 200 gr/m²) between ballast and membrane.
- Concrete pavers, with smooth trowel finish. Consult local regulations and/or paver supplier guidelines for maximum spacing between the pavers. Install a protection fleece or additional layer of EPDM membrane directly beneath the concrete pavers.
- Other types of ballast may be used (poured concrete, etc.) for other types of applications (parking decks, etc.) but require a specific study. Consult local standards for type, adequate size, and minimum weight of ballast and consult Firestone's Technical Department for appropriate detailing.
- In case of re-roofing, existing gravel may be re-used on the new roofing system provided it is of adequate size and weight. It is recommended to install a geotextile (min. 200 gr/m²) between the EPDM membrane and the recovered gravel.

Do not stock pile ballast on the roof deck. Spread the ballast over the EPDM membrane as specified, using soft tools (rubber-tyre buggies, squeegees, etc.), avoid direct contact with the membrane when projected. Spread the ballast around details by hand/foot so as to not damage the freshly installed detail. Any ballast that is displaced by a walkway pad, should be distributed around the pad so as to maintain the specified average coverage rate.

On roofs with a flat edge, the installation of rubber walkway pads within 3 m of the roof edge is not allowed. Use concrete pavers.



For Inverted Systems, install the extruded polystyrene insulation directly over the EPDM membrane. The insulation boards shall be installed within 6 mm of all projections. Do not bond the insulation boards to the membrane or to each other. Unroll a protection mat over the insulation overlapping at side laps a minimum of 100 mm and at end laps a minimum of 150 mm. The mat shall extend up at all vertical penetrations 10 mm above the ballast.

3.1.3 Membrane Installation With Bonding Adhesive

■ Applicability

This technique is applicable for Fully Adhered systems and as an alternative to mechanical attachment in the perimeter zones of the mechanically attached systems: R.M.A., M.A.S. and B.I.S.

■ Installation Instructions

Position adjoining sheets with a minimum overlap of 100 mm and allow to relax.

Fold the first membrane back, evenly onto itself so as to expose the underside and the substrate. The sheet fold should lay smooth so as to minimize the formation of wrinkles during and after installation. Before bonding, remove excess of dust or other contaminants. Wipe the substrate and the mating surface of the first sheet with a stiff broom.

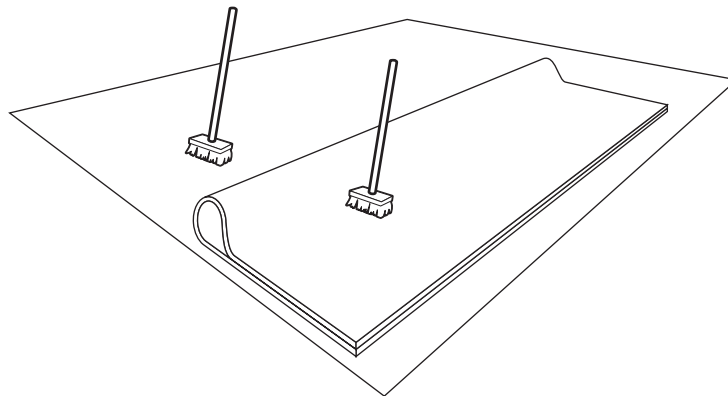


Fig. 3.1.1

The EPDM-sheets are to be fully adhered with Bonding Adhesive. Stir the Bonding Adhesive before and during application to achieve a uniform mix with no sediment at the bottom. Properly mixed adhesive is critical for desired performance and uniformity of the bond.

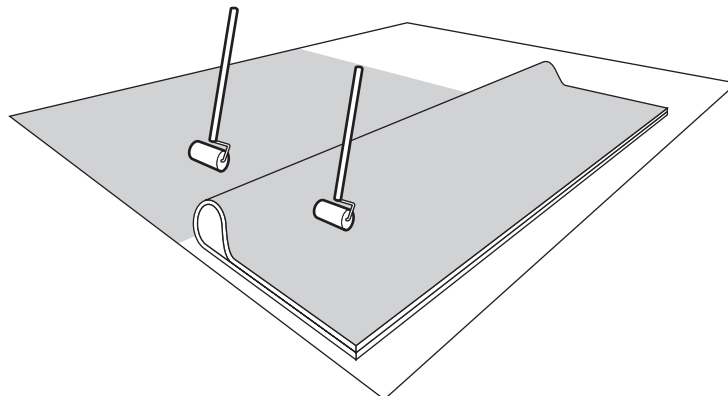


Fig. 3.1.2

The Bonding Adhesive must be roller applied in a thin even coat on both mating surfaces. Firestone recommends a two-man operation to facilitate equal drying times. Avoid globs or puddles of adhesive during application. An excess of adhesive will prolong the drying time and reduce production. The use of Superspreader equipment can speed up production and increase coverage due to a better distribution of the adhesive. When applying the adhesive manually, use large solvent resistant rollers (200 to 250 mm wide) with short hairs to apply the adhesive evenly. Care must be taken not to apply Bonding Adhesive over an area that is to be cleaned later and spliced to another sheet or QuickSeam Reinforced Fastening Perimeter Strip. Use a chalkline to mark the splicing area that has to remain clean. See Technical Data sheet for information about recommended coverage rates.

Wait until the adhesive is tacky. Drying time will differ with various climatic conditions and coverage rate. Never use a hot air dryer to accelerate this process. Touch the surface with a clean, dry finger to check the adhesive for dryness. As you are touching the adhesive, push straight down to check the mass of adhesive under its surface for stringing.

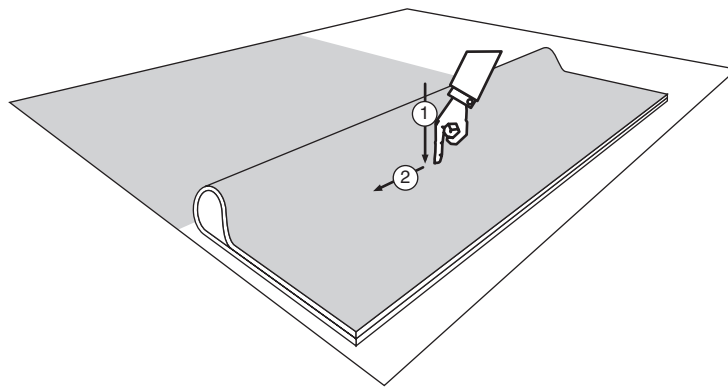


Fig. 3.1.3

Push forward on the adhesive at an angle to ensure that it is dry throughout its thickness. If either motion exposes wet or stringy adhesive when the finger is lifted then it is not ready for mating.

As the first sheet is flashing off, lay out the adjoining sheets and allow them to relax.

Bond the membrane, starting at the fold. Roll the previously coated portion of the sheet into the coated substrate, slowly and evenly to minimize wrinkles.

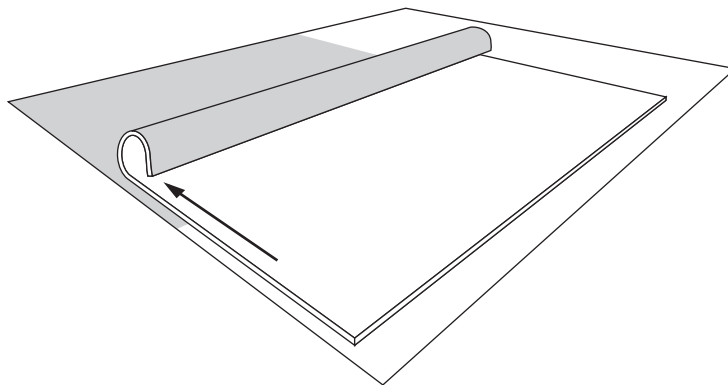


Fig. 3.1.4

Compress the bonded half to the substrate with a stiff brush to ensure proper contact. Extra compression will strengthen the bond. Repeat the bonding procedure to complete the bonding of the sheet. Take special precautions when the outside temperature is below 10°C. Certain combinations of temperature and humidity may cause condensation on the surface of the Bonding Adhesive. If this condition occurs, do not mate the surfaces. Wait until the ambient air conditions no longer cause condensation, dry the surface with clean, dry rags, apply a thin additional layer of adhesive and proceed.

As an alternative to the contact adhesion application method, outlined above, Water Based Bonding Adhesive may also be mated while still wet directly over plywood or OSB substrates only. Apply Water Based Bonding Adhesive over plywood or OSB with a solvent resistant paint roller, taking care to completely cover the plywood or OSB substrate evenly to avoid globs and puddles of adhesive. The EPDM membrane shall be mated as soon as possible after the bonding adhesive is applied by rolling the membrane in place over the plywood or OSB. To ensure proper adhesion, compress the bonded portion of the sheet to the substrate with a stiff push broom. The optional Wet Mating Method is only applicable when membrane is not exposed to any wind stresses for 48 hours and not exposed to freezing temperatures for minimum 48 hours. See Technical Data sheet for information about recommended coverage rates.

3.1.4 Membrane Installation - System R.M.A.

■ Applicability

This technique is applicable for mechanically anchored system R.M.A..

■ Installation Instructions

The QuickSeam R.M.A. strips are mechanically attached to the substrate using batten strips or approved plates and fasteners. The EPDM membrane is then adhered to these strips using conventional seaming techniques.

Consult the wind design calculation and QuickSeam R.M.A. strip layout for information about the position of the R.M.A. strips and the size of local wind zones (zones of high wind pressure, such as perimeter, ridge, base of roof step, base of penthouse, etc.).

On metal decks it is important that the R.M.A. strips run as much as possible perpendicular to the direction of the flutes of the deck, to avoid overloading of the structure. At perimeters and in zones of higher wind pressure, the EPDM membrane may be either fully adhered to the substrate following the technique previously described or mechanically attached using one or more additional rows of R.M.A. strip running parallel to the already installed strips. Crossing T-strips shall be installed along the inside edge of the perimeter zone where the additional batten strips run perpendicular to the parapet. Make sure that crossing R.M.A. strips are in contact with each other to provide a continuous framework for attachment of the EPDM membrane.

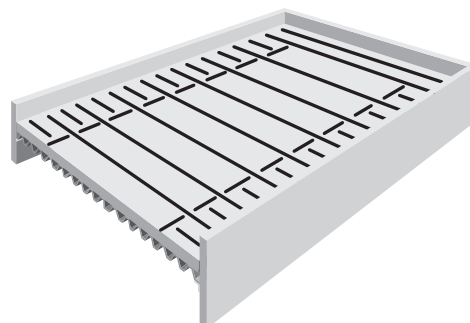


Fig. 3.1.5



Install the QuickSeam R.M.A. strips as required using approved plates and fasteners or batten strips and fasteners. When using plates, automatic fastening equipment can provide for a time-saving installation. For more information on the installation of batten strips, consult the section on the M.A.S. system hereafter.

Prior to seaming the EPDM membrane to the R.M.A. strips, make sure that the EPDM panels lay smoothly and without any wrinkles. The EPDM membrane will be adhered to the QuickSeam R.M.A. strips as outlined in the following chapter.

When working onto a continuous support (concrete, wood, ...), an alternative layout for R.M.A. strips may be used for practical reasons. In this layout, R.M.A. strips are laid parallel to the parapet. EPDM panels can be laid in the most practical direction.



Fig. 3.1.6

A continuous row of QuickSeam R.M.A. strips shall be installed along the inside edge of the perimeter sheets, to separate the perimeter zones from the central zone of the roof.

In the case of a fully adhered perimeter zone, care must be taken not to apply Bonding Adhesive onto the inside portion of the perimeter sheets located beyond the inside R.M.A. strip.

3.1.5. Membrane Installation - System M.A.S.

■ Applicability

This technique is applicable for the mechanically attached system M.A.S..

■ Installation Instructions

The membranes are mechanically attached to the substrate with batten strips running over the sheets and covered with cover strips.

Consult the wind design calculation and batten strip layout for information about the position of the batten strips and the size of local wind zones (zones of high wind pressure, such as perimeter, ridge, base of roof step, base of penthouse, etc.).

On metal decks it is important that the batten strips run as much as possible perpendicular to the direction of the flutes of the deck, to avoid overloading of the structure. To minimize the number of crossings between field splices and batten strips, the EPDM sheets are also unrolled perpendicular to the direction of the flutes of the deck. The operating crew starts at one end of the roof and continues working towards the opposite end. Position the EPDM sheets in accordance to the sheet layout with a minimum overlap of 100 mm and allow to relax.

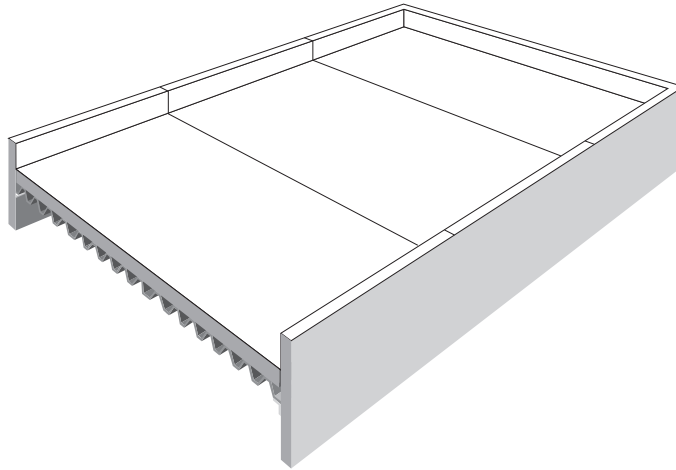


Fig. 3.1.7

At perimeters and in zones of higher wind pressure, the EPDM membrane may be either fully adhered to the substrate following the technique previously described or mechanically attached using one or more additional rows of batten strip running parallel to the already installed battens. Crossing T-strips shall be installed along the inside edge of the perimeter zone where the batten strips run perpendicular to the parapet.

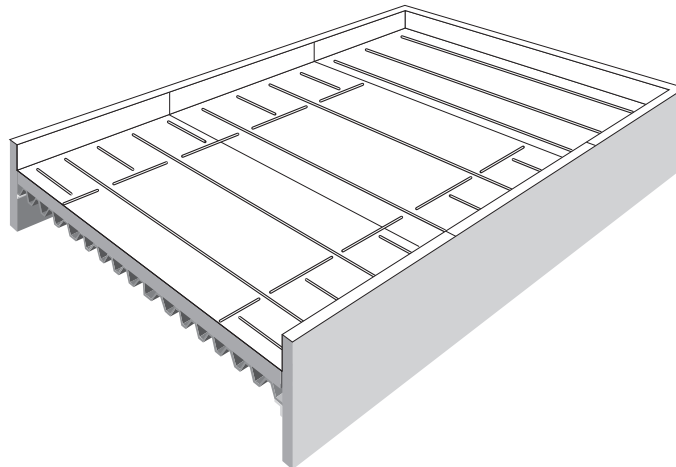


Fig. 3.1.8

Prior to installing the batten strips over the sheets, make sure that the EPDM panels lay smoothly without any wrinkles and remove excess dirt and moisture from the membrane. Use a chalkline to mark the correct position of the batten strips as per layout and make sure the strips are positioned in straight lines.

Pull the batten strip from its box and secure it with a fastener at the beginning. Never open the box, pull the strip out as required. Secure the batten strips only with fasteners that are accepted by Firestone. Place the first fastener maximum 10 mm in from the end of the batten strip. Extend the batten strip across the roof, pull it tight at the opposite end and install another fastener. Go back and install fasteners, using the pre-punched holes. If the spacing between the holes does not correspond to the spacing between the top of the corrugations, additional holes will need to be drilled.

Where batten strips must be cut on site, trim the end of the strip into a half moon shape to eliminate sharp edges. Assure that all sharp edges created by cutting are removed and install a round field cut corner pad (EPDM pad diameter 50 mm) between the batten strip and membrane at all ends. Use one fastener to anchor overlapping batten strips.



The fastener must be properly engaged in the deck. Use caution not to overdrive fasteners, as this will cause buckling of the batten strip between the fasteners and reduce the pullout value of the fastener. If the strip kinks, loosen the screw slightly. An electric screw gun with an automatic clutch control or an automatic installation tool is recommended. Once the tools have been set, all fastener installation will be consistent.

Crossing strips should not overlap. Stop the strips at 250 mm away from each other so that cover strips can be installed without overlapping.

When working onto a continuous support (concrete, wood, ...), an alternative layout for EPDM sheets and batten strips may be used for practical reasons. In this layout, perimeter zone panels and batten strips are laid parallel to the parapet. Field zone panels can be laid in the most practical direction.

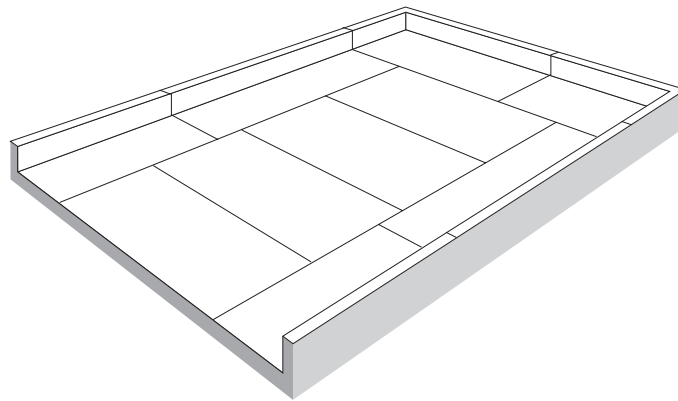


Fig. 3.1.9

A continuous row of batten strips shall be installed along the inside edge of the perimeter sheets, to separate the perimeter zones from the central zone of the roof.

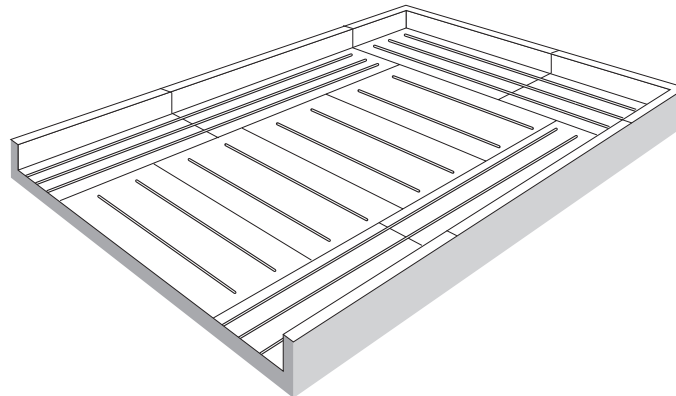


Fig. 3.1.10

3.1.6 Membrane Installation - System B.I.S.

■ Applicability

This technique is applicable for the side laps in the mechanically attached systems B.I.S..

■ Installation Instructions

The field membranes are mechanically attached to the substrate with batten strips centred in the side seams of adjoining sheets.

Select the size of the panels in function of the spacing requirements for the batten strips. Consult the table below to identify the most appropriate panel width.

Spacing between batten strips (m)	Panel width (m)	Panel width (ft)
0.94	1.14 (1/2 sheet)	3'9"
1.32	1.52 (1/2 sheet)	5"
2.08	2.28	7'6"
2.85	3.05	10'

Consult the wind design calculation and batten strip layout for information about the position of the batten strips and the size of local wind zones (zones of high wind pressure such as perimeter, ridge, base of roof step, base of penthouse, etc.)

On metal decks it is important that the membranes and batten strips run as much as possible perpendicular to the direction of the flutes of the deck, to avoid overloading of the structure. Position the EPDM sheets in accordance to the sheet layout with an overlap of minimum 200 mm for the side laps of adjoining sheets and minimum 100 mm for the end laps. Allow the sheets to relax prior to attachment.

In the central zone of the roof, the membrane should be mechanically attached with batten strips (or V-plates in case of a reinforced membrane) in the side laps of the membrane. At perimeters and in zones of higher wind pressure, the EPDM membrane may be either fully adhered to the substrate following the technique previously described or mechanically attached in the overlap. When wind calculations require a smaller spacing between the batten strips, an additional strip may also be installed on top of the membrane, as previously described in the M.A.S. installation method, or an R.M.A. strip may be installed underneath the membrane, as described in the R.M.A. installation method. Crossing T-strips shall be installed along the inside edge of the perimeter zone where the additional batten strips or R.M.A. strips run perpendicular to the parapet.



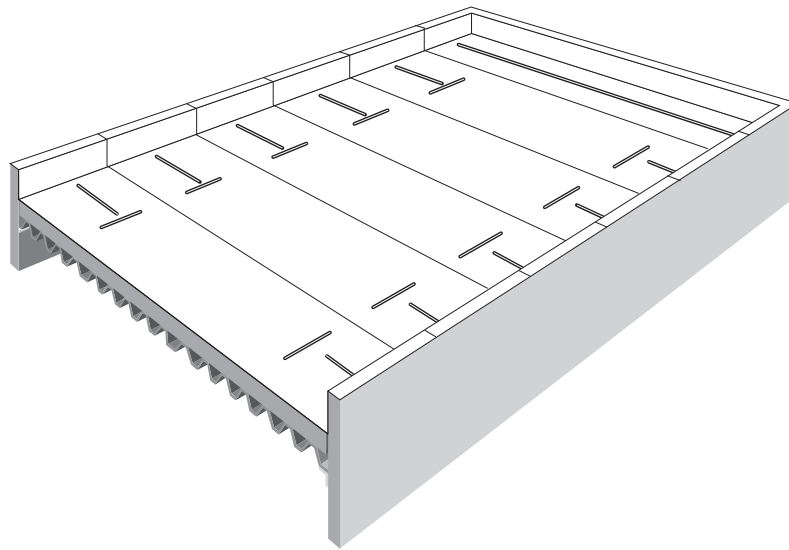


Fig. 3.1.11

Prior to installing the batten strips within the side overlaps, make sure the EPDM panels lay smoothly without any wrinkles and remove excess dirt and moisture from the membrane. Use a measure and chalkline to install the batten strips correctly within the 200 mm side laps and make sure the strips are positioned in a straight line.

Install the batten strips as previously described and as per §3.2.3. Crossing batten strips should not overlap at corners or T-joints. Install the batten strips at intersecting splices as illustrated.

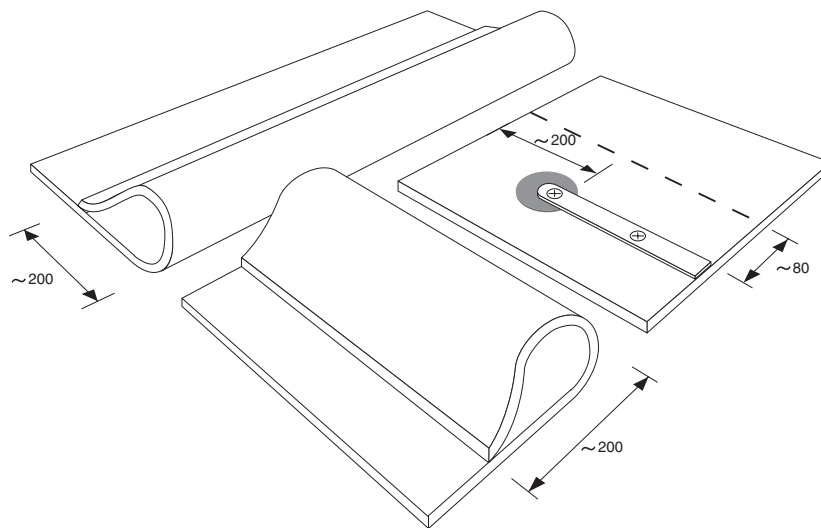


Fig. 3.1.12.a



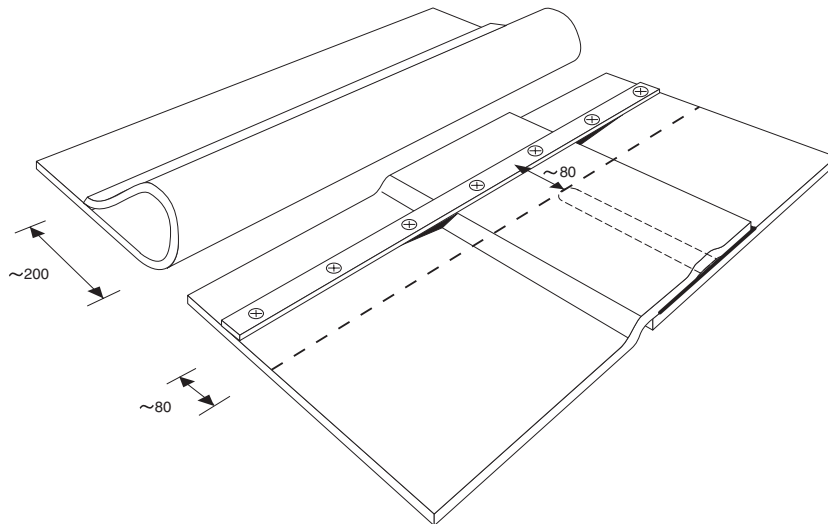


Fig. 3.1.12.b

The end laps of adjoining sheets and the side laps with batten-in-the-seam should be spliced as outlined in the following section.

When working onto a continuous support (concrete, wood, ...), an alternative layout for EPDM sheets and batten strips may be used for practical reasons. In this layout, perimeter zone panels and batten strips are laid parallel to the parapet. Field zone panels can be laid in the most practical direction.

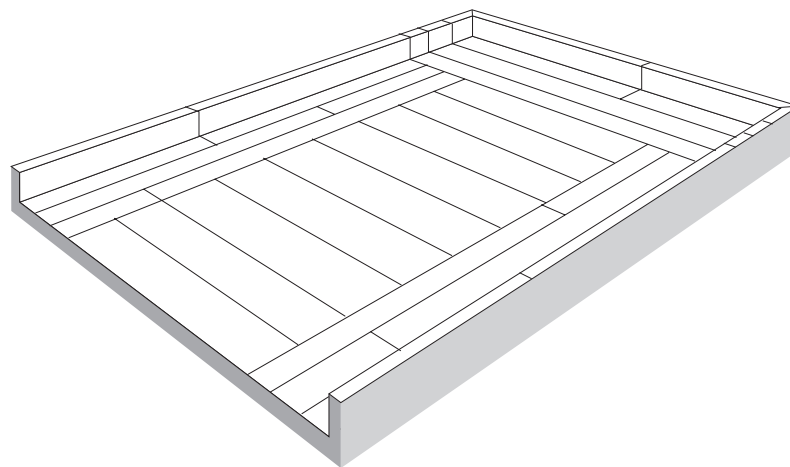


Fig. 3.1.13

A continuous row of batten strips shall be installed along the inside edge of the perimeter sheets, to separate the perimeter zones from the central zone of the roof.

3.2 Splicing

3.2.1 Splicing General

There are two types of seams in the Firestone EPDM roofing systems:

- **Factory seams:** when splicing is performed during the production of the EPDM sheet prior to vulcanisation. The material of the seam is homogeneous and 100 % cured. This results in large, seamless EPDM panels, so as to minimize the number of field splices.
- **Field seams:** when splicing is performed on site with a self-adhering Splice Tape.

In this section particular attention is given to the Firestone EPDM field seams and the related splicing operations in the different Firestone EPDM systems.

■ Splicing Mechanism

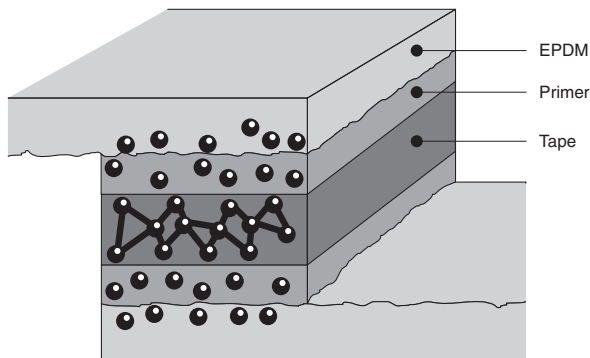


Fig. 3.2.1

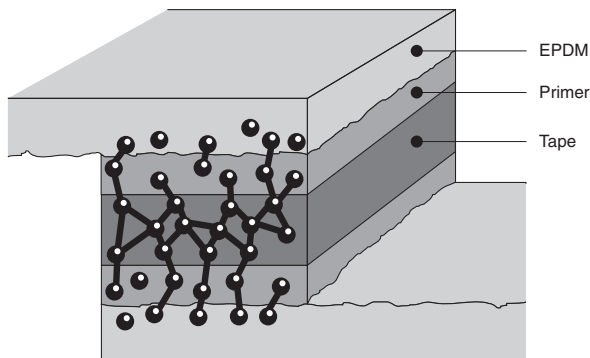


Fig. 3.2.2

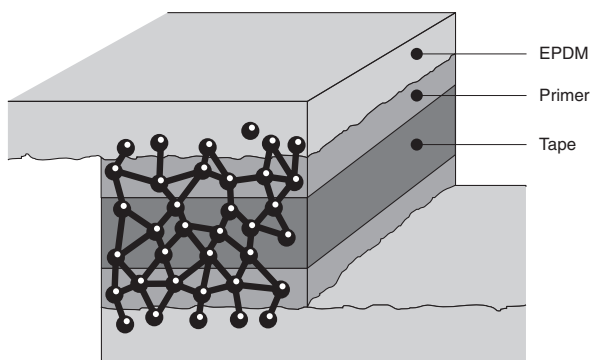


Fig. 3.2.3

The Firestone EPDM membrane is a 100 % vulcanised material. Two overlapping sheets are chemically inert to each other and do not stick when simply laid together. Welding techniques or solvents cannot be used to melt the EPDM membrane. Two adjoining sheets therefore have to be joined with a material that is chemically active, the self-adhering Splice Tape combined with the primer QuickPrime Plus. A successful splice will depend on a sound contact of the bonding agent and the membrane. For this reason the surface has to be prepared with utmost care.

The surface of the EPDM sheet examined under a microscope, is not completely smooth, it looks like an orange skin, full of small irregularities and ridges. It is important to observe that the surface is not very clean but covered with dust and talc.

By scrubbing the surface with a scrubber pad, soaked with QuickPrime Plus, the irregularities are changed, creating a receptive surface for contact. The active molecules of the QuickPrime Plus are carried by a solvent, which provides a proper spreading and a deep penetration of the components into the surface irregularities. When most of the solvent is evaporated, the QuickPrime Plus is still chemically active and provides a tacky surface for the Splice Tape to be installed to complete the splicing procedure.

In addition to the adhesion mechanism (attraction between adhesive and surface molecules) the irregularities of the membrane surface are mechanically interlocked by the components of the QuickPrime Plus. Both mechanisms create high-resistance molecular links. It will take 7 to 28 days for the QuickPrime Plus to lose its remaining solvent and therefore complete the curing process.

Experience to date has demonstrated that the EPDM field splicing technique using Splice Tape and QuickPrime Plus is very “roofer friendly”. This installation method satisfies the normal day-to-day variations such as climatic conditions, different applicators and job conditions. The QuickScrubber kit, QuickScrubber Plus Stand-up Tool and QuickTaper make the application of the primer and tape easy, clean, quick and reliable.

The application techniques for the QuickPrime Plus, as described in the seaming procedures are also applicable to the system details where other QuickSeam products are used, i.e. application of QuickSeam FormFlash, QuickSeam Batten Cover Strip, QuickSeam R.M.A. Strip, base tie-in with QuickSeam Reinforced Perimeter Fastening strip, flashing of metal edge profiles with QuickSeam Flashing, flashing of pipe penetrations with QuickSeam Pipe boot, flashing of drains with QuickSeam SA Flashing, etc.. All splicing surfaces must be free of dirt, moisture and any other contaminants before the installation of QuickSeam Products. When necessary, pre-clean with the cleaning agent Splice Wash prior to the application of QuickPrime Plus.

Notes:

- As an alternative to regular seaming and flashing procedures using QuickSeam products in combination with QuickPrime Plus, contact adhesives (Splice Adhesive) could also be used. It should be noted however that adhesive seams are more critical than QuickSeam solutions. When applying the Splice Adhesive option, the membrane should be cleaned using Splice Wash. Other cleaning products, such as unleaded gasoline are not recommended. They may be contaminated with traces of products that may react adversely with EPDM and fail to activate the surface in the same manner.
- All seaming products (QuickSeam Splice Tape, QuickPrime Plus, sealants, ...) have product limitations. Follow the technical specifications outlined in the technical information sheets to ensure correct application. Store all Firestone materials in their original sealed pails or unopened packages and rotate perishable materials so that they are used prior to the end of their shelf life.
- Firestone recommends storing primers and sealants at room temperature between 15°C and 25°C. If exposed to lower temperatures, restore to room temperature during 3 to 4 hours prior to use. Splicing activities may continue in cold weather provided adhesive, QuickPrime Plus and sealants are at room temperature prior to application and are used within a 4-hour period after being taken to the roof. Stir primer thoroughly before and during use. This is a critical step that assures that the material performs properly; do not alter the products by adding solvents.
- Attention must be paid to primer in warm weather conditions. Extreme warm weather may dry out the solvents quickly. This can be avoided by protecting the pails against hot temperatures by installing an insulation board between can and membrane on hot summer days and sheltering cans from direct sunlight. Any questions about the condition of a product should be discussed with Firestone Building Products' Technical Department. Please note the production date of the product.
- Some types of insulation materials such as extruded and expanded polystyrene should not come into contact with QuickPrime Plus. It is recommended to install a 500 mm wide strip of polyethylene underneath the membrane in the splicing area, to protect these insulation materials.



3.2.2 Splicing With 76 mm (3") Splice Tape

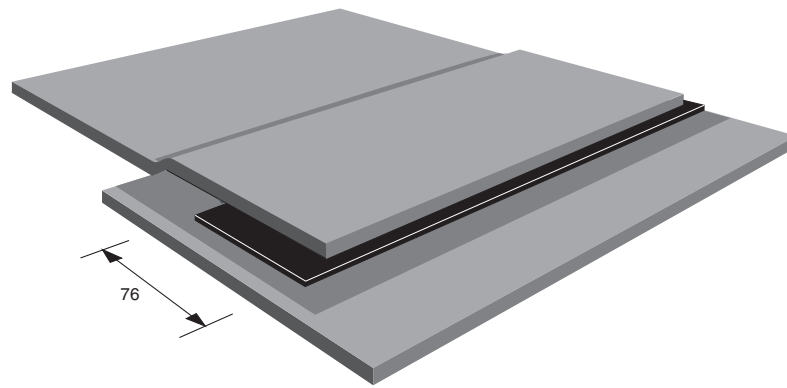


Fig. 3.2.4

■ Applicability

Firestone's 76 mm (3") Splice Tape is designed for field splices in all systems as indicated in the table below.

System	Application
Ballasted, Inverted, Adhered	All seams
R.M.A., M.A.S.	All seams
B.I.S.	End laps only (152 mm Tape for side laps)
All systems	Laps EPDM flashings

■ Installation Instructions

Step 1: Position and mark the sheets

Position the sheets at the splice area with an overlap of min. 100 mm. Once both membranes are in place, mark the bottom sheet 10 to 15 mm from the edge of the seam every 300 mm with the white crayon provided.

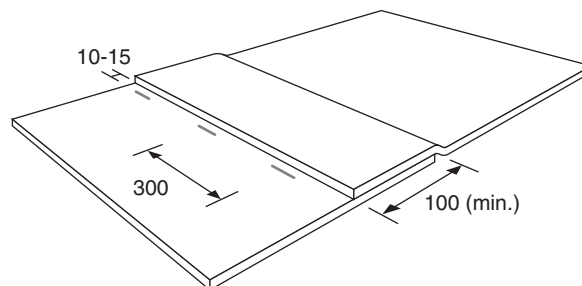


Fig. 3.2.5

Use the index finger as a guide along the top edge; this gives an accurate measurement for this step. The marks will serve as a guide for the application of the QuickPrime Plus and installation of the Splice Tape.

Step 2: Fold back the lap edge

Tack the top sheet back with QuickPrime Plus at 1.5 m centres and at factory seams, this holds it in place during the splicing operation.

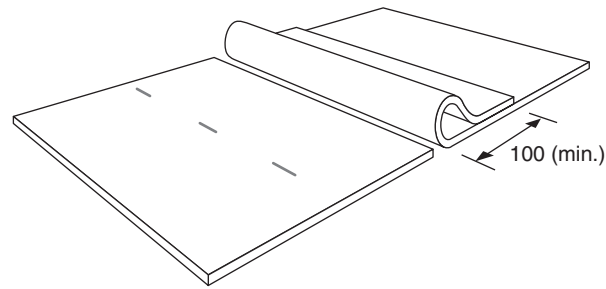


Fig. 3.2.6

Step 3: Apply QuickPrime Plus

Remove excess dust and dirt on the sheet and at factory seams, using a stiff broom. Pre-scrubbing is required at all areas that have excess amounts of dust, mica and Bonding Adhesive and at all factory seams. Dip the QuickScrubber or QuickScrubber Plus stand-up tool into the QuickPrime Plus, keeping the scrubber horizontal and flat so that no primer drips out prematurely.

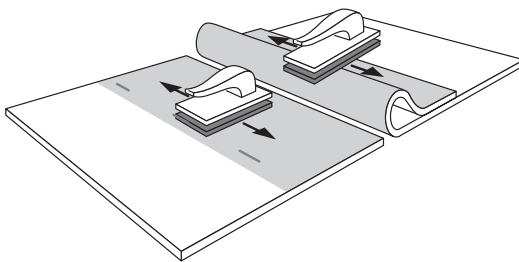


Fig. 3.2.7

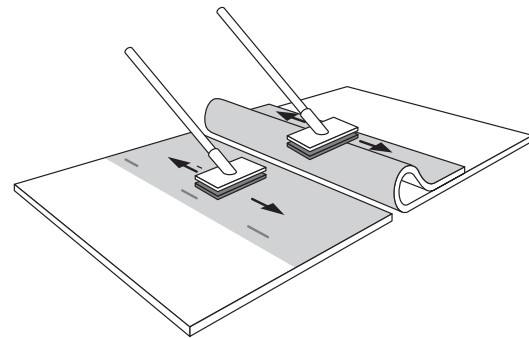


Fig. 3.2.7 bis

Apply the QuickPrime Plus using long back and forth scrubbing strokes, parallel to the seam along the length of the splicing area, until the surface becomes dark grey in colour with no streaking or puddling. Scrub both surfaces at the same time to allow the same flash off time, start on the folded overlap. Make sure to overlap the guide marks on the bottom sheet and go beyond the edge of the top sheet.

Step 4: Check QuickPrime Plus for dryness

Allow the QuickPrime Plus to flash off completely. To test for dryness, use the touch-push test at the back of the splice area by pushing straight down onto the QuickPrime Plus with a clean, dry finger. Push forward on the primer in an angle. The primer should feel tacky but not string to the finger.

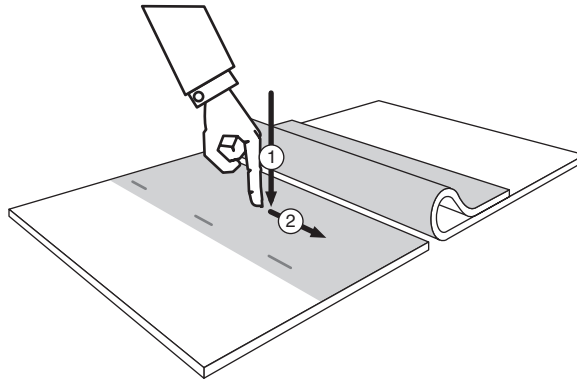


Fig. 3.2.8

Step 5: Install 76 mm (3") Splice Tape

Position the 76 mm (3") Splice Tape on the bottom sheet with the release paper facing upwards. Align the edge of the release paper with the marks. Roll the tape immediately using the QuickRoller or a 50 mm wide silicone rubber hand roller, applying firm pressure across the tape to remove any air that may be trapped between primer and tape. Hand pressure is not sufficient to seal the seam, since it does not provide uniform compression.

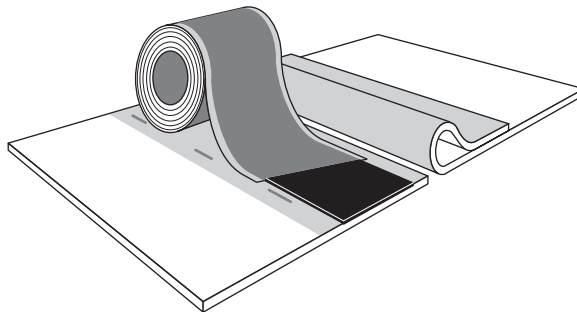


Fig. 3.2.9

Step 6: Check Tape Alignment

Untack the top sheet and allow it to fall freely onto the tape. Trim the top sheet back as necessary at all areas where the tape does not extend 5 to 15 mm past the seam edge.

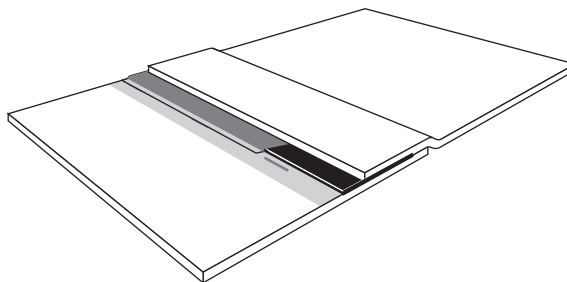


Fig. 3.2.10

Step 7: Remove paper backing

To remove the release paper from the tape, peel the paper off the Splice Tape, by pulling it away from the seam at a 90° angle to the tape. Pull the paper at a steady pace and keep it low to the roof surface as it is removed to reduce air pockets. Mate the entire length of the seam by hand, when the release paper is being removed.

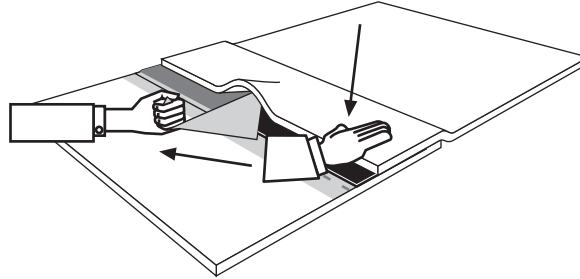


Fig. 3.2.11

Step 8: Roll the seam

Roll the seam with the QuickRoller or with a 50 mm wide silicone rubber handroller, both across the seam and along its entire length above both edges of the tape.

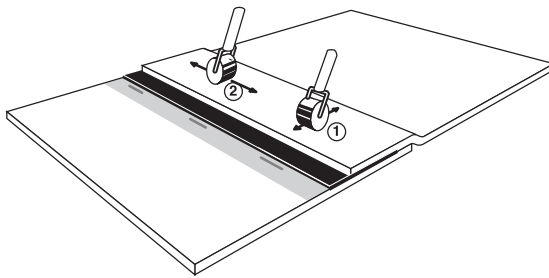


Fig. 3.2.12

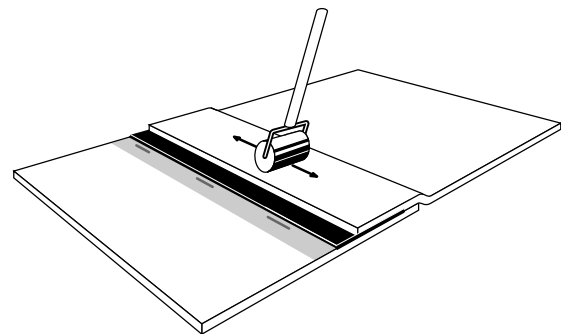


Fig. 3.2.12 bis

■ Installation Tips:

- Before tacking back the membrane, ensure that the QuickPrime Plus is thoroughly stirred and poured into a small bucket.
- Assemble the QuickScrubber pad by twist-locking it into the Scrubber handle. Scrubber pads will last for approximately 30 lm of seam for the QuickScrubber hand tool and 60 lm of seam for the QuickScrubber Plus stand-up tool. Change to a new pad when the pad becomes compressed or when it has dried primer on it. Change the pad at the start of each working day.
- In a normal application, three strokes are typical. The first stroke is to spread the QuickPrime Plus and scrub the membrane; second stroke is to scrub the membrane and penetrate the Primer, the third stroke if necessary would be to eliminate puddles of QuickPrime Plus.
- When using the QuickScrubber Plus stand-up tool enough pressure should be applied to flatten the slightly bowed scrubber to the surface resulting in a uniform application of the QuickPrime Plus.
- Pre-scrubbing the areas with excess dirt will help the priming process. Three to five strokes with the QuickScrubber, perpendicular to the seam edge is necessary.
- Precautions should be taken when using QuickPrime Plus in cold weather conditions (below 10°C). Certain combinations of temperature and humidity may cause condensation to form on the surface of the primer. If this occurs, stop priming, wait for better ambient conditions prior to drying the surface and re-application of the QuickPrime Plus.

- Complete a test splice to determine the risks for condensation. Never use heat guns or torches to accelerate the drying process of QuickPrime Plus. In normal conditions QuickPrime Plus will flash off in 5 to 10 minutes, quicker in hot weather.
- In hot weather Firestone recommends to apply QuickPrime Plus first onto the bottom sheet, to check for dryness and to install the tape. After the tape has been rolled, apply QuickPrime Plus to the top sheet, check for dryness, untack the top sheet and allow it to fall freely onto the tape. Then follow instructions step 6 through 8 to complete the seam.
- During the positioning of the tape on the bottom sheet, misalignment may occur. Stop the operation, cut the Splice Tape, make an overlap of minimum 25 mm with the end of the installed tape and continue the alignment with the markings. Cutting the tape should be done with the tape sandwiched between 2 pieces of release paper for a clean cut.
- Any fishmouth that occurs during installation of the tape should be cut away and repaired with a piece of QuickSeam FormFlash/Flashing, covering the perimeters of the cut by minimum 75 mm in all directions.
- After closing the seam, it is important to observe a continuous mark of primer beyond the fold line of the top sheet.
- When using the QuickRoller make sure to roll the seam along its length in a back and forth motion; 50 to 75 cm at a time until the seam is completely rolled.

■ **Special Considerations**

End of Splice Tape

When the seam is longer than the tape, the adjoining roll of tape must overlap a minimum of 25 mm. At these areas a QuickSeam patch should be installed as illustrated. Apply Lap Sealant around all exposed cut edges of the QuickSeam FormFlash.

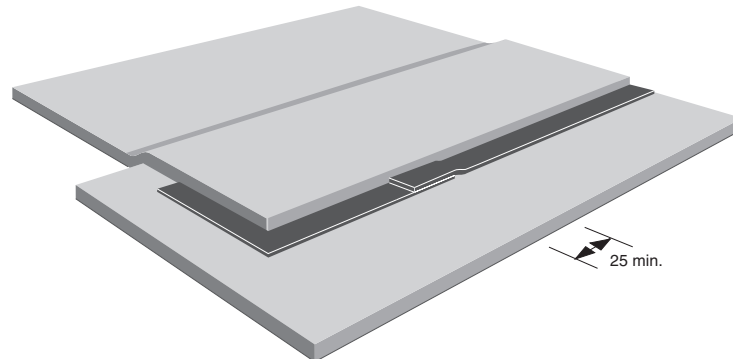


Fig. 3.2.13.a

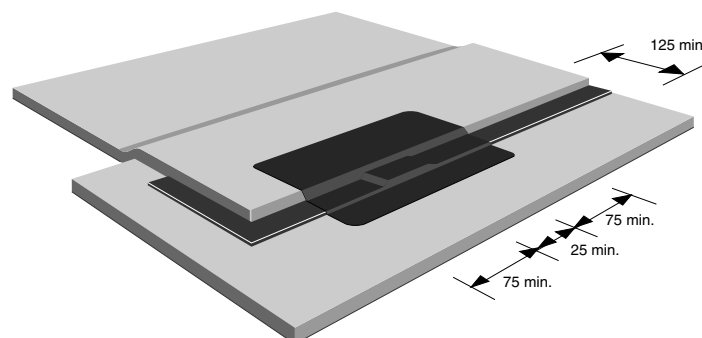


Fig. 3.2.13.b



T-joints

There are two types of T-joints possible, depending whether the transversal joint covers the longitudinal or vice versa. In both cases, a QuickSeam patch is necessary to the dimensions as illustrated below.

When the transversal seam lies on top, trim the QuickSeam Splice Tape so that the edge of the tape and the edge of the EPDM membrane are flush. Cut any excess of EPDM membrane at the inside of the seam away in a 45° angle. Install a QuickSeam patch over the T-joint area as illustrated below. Seal all exposed cut edges of the covering piece with Lap Sealant.

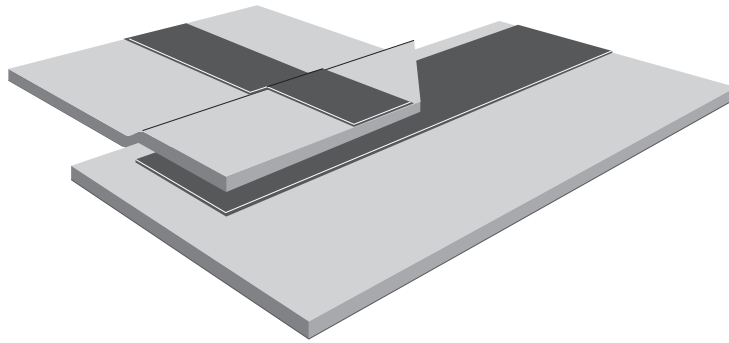


Fig. 3.2.14.a

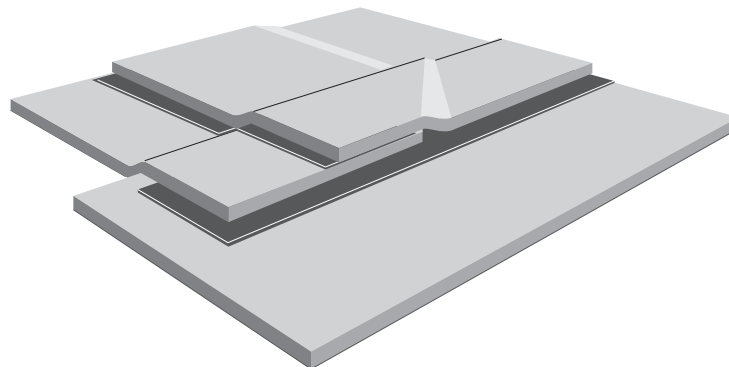


Fig. 3.2.14.b

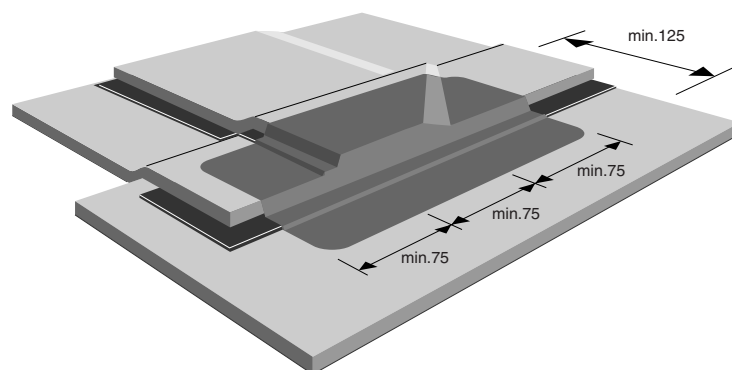


Fig. 3.2.14.c

When the longitudinal seam lies on top, install a QuickSeam patch as illustrated.

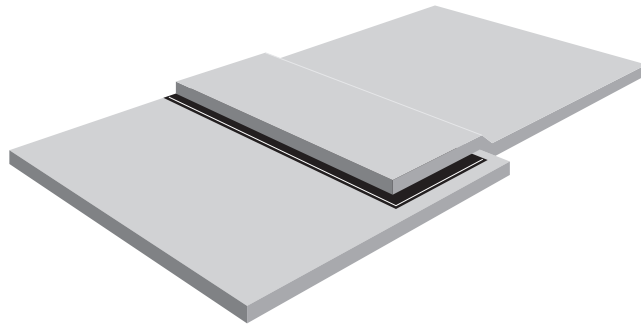


Fig. 3.2.15.a

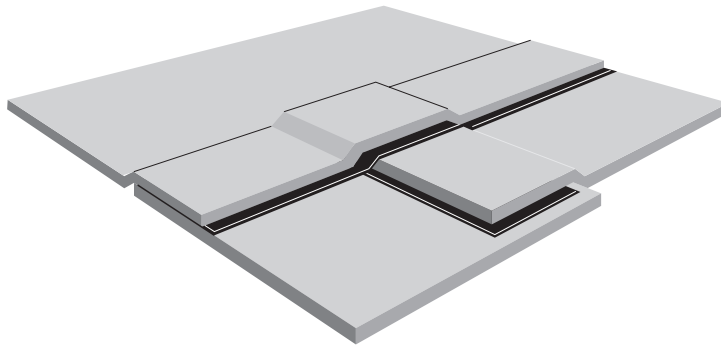


Fig. 3.2.15.b

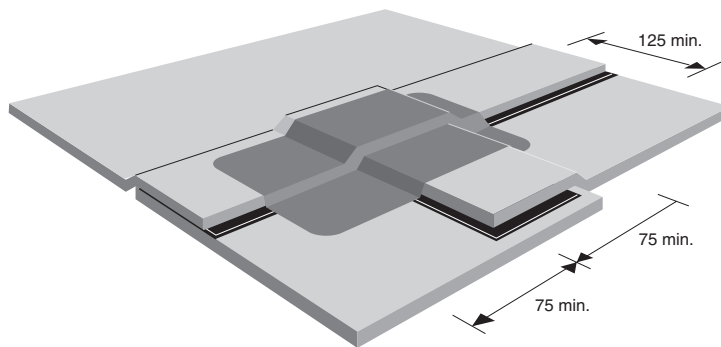


Fig. 3.2.15.c

When using reinforced EPDM membrane, seam edge treatment with Lap Sealant is required at all cut edges.

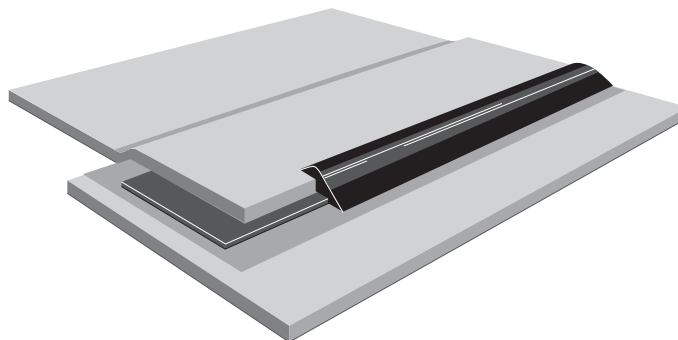


Fig. 3.2.16

3.2.3 Splicing With 152 mm (6") Splice Tape

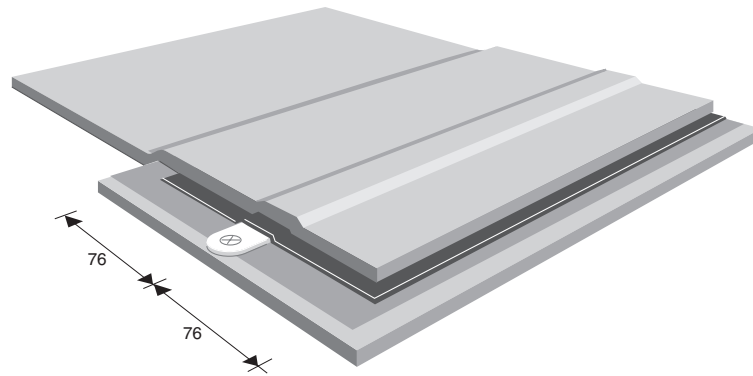


Fig. 3.2.17

■ Applicability

Firestone's 152 mm (6") Splice Tape is designed for field splices where batten strips are installed within the seam as in the B.I.S. system. This seaming technique can also be used in R.M.A. and M.A.S. systems and in flashing details where EPDM is used.

■ Installation Instructions

Step 1: Position and mark the sheets

Position the sheet at the splice area with an overlap of 200 mm. Once both membranes are in place, mark the bottom sheet 10 to 15 mm from the edge of the seam every 300 mm with the white crayon provided using the index finger as a guide along the top edge. Fold the top membrane back and install the batten strip 80 mm inwards from the marks. This will ensure that the tape is evenly distributed within the seam when applied along the marks. Allow the top sheet to fall back freely and verify correct alignment of membranes and batten strips.

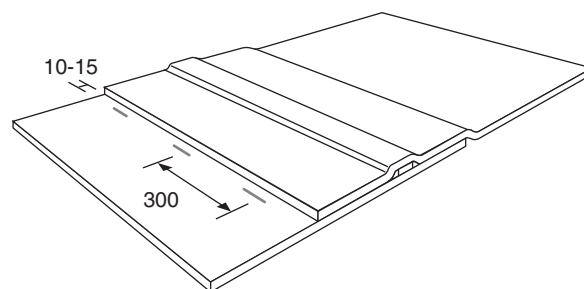


Fig 3.2.18

This step is critical; therefore double-check the seam area to ensure proper placement of the batten strips and correct overlap of adjacent sheets. It is also important that the fasteners in the batten strip are not overdriven. The seam functions best when the surface to receive the tape is as flat as possible.



Step 2: Fold back the lap edge

Fold the top sheet back to expose the seaming area and tack it back with QuickPrime Plus at 1.5 m centres and at factory seams.

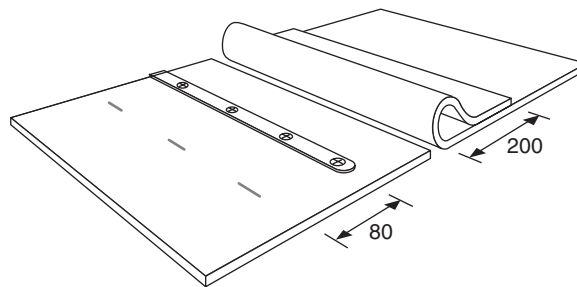


Fig. 3.2.19

Step 3: Apply QuickPrime Plus

Apply the QuickPrime Plus using long back and forth strokes, parallel to the seam along the length of the splicing area, until the surface becomes dark grey in colour with no streaking or puddling. Ensure that primer is applied over the batten strips. Pre-scrubbing is required at all areas that may have excess amounts of dust, mica and Bonding Adhesive and at all factory seams.

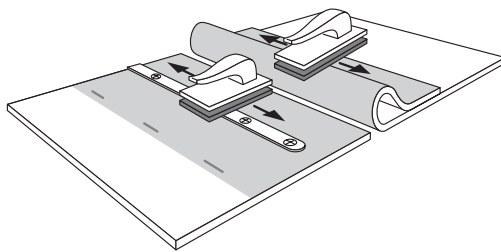


Fig. 3.2.20

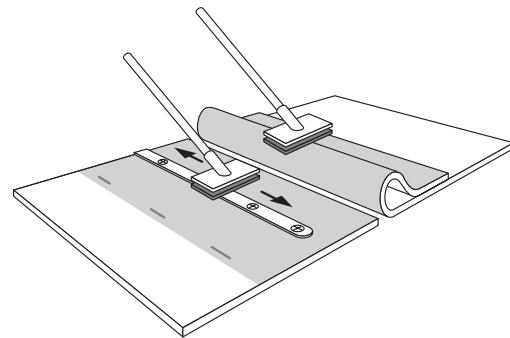


Fig. 3.2.20 bis

Step 4: Check QuickPrime Plus for dryness

Allow the QuickPrime Plus to flash off completely (usually less than 10 minutes). To test for dryness, use the touch-push test.

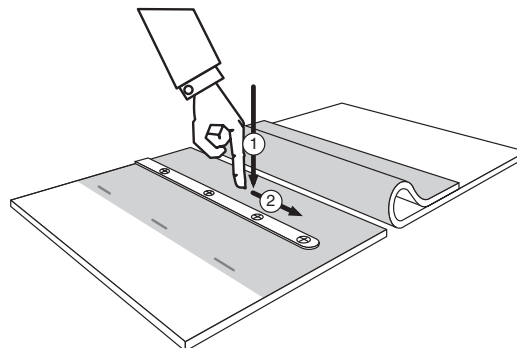


Fig. 3.2.21

Step 5: Install 152 mm (6") Splice Tape

Use 2 individuals to position the Splice Tape on the bottom sheet with the release paper facing upwards. One person should be at the start of the seam; the other should handle the roll. Use the first three marks for tape alignment. It is important that the tape roll is straight. After the tape is installed on the first three marks, the first person should compress the tape along its length using a clean QuickScrubber pad and handle. The tape should be compressed down the centre of the batten strip, followed by the compression on each side of the strip.

The second person handling the roll should hold the roll of tape firmly in place with both hands. The thumbs should be on both sides of the tape guiding it. Do not allow the tape to waiver from the marks. If this occurs, cut the tape, overlap 25 mm, and continue alignment.

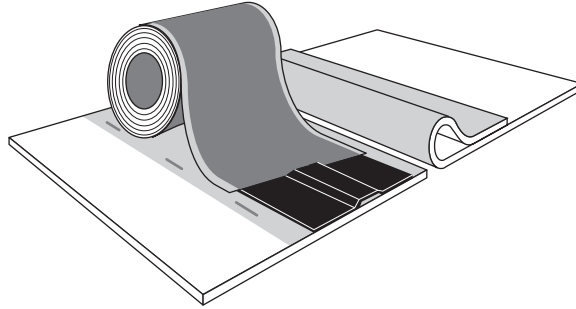


Fig. 3.2.22

Step 6: Check tape alignment

Untack the top sheet and allow it to fall freely over the release paper. Trim the top sheet back as necessary at all areas where the release paper on the tape does not extend 5 to 15 mm past the seam edge.

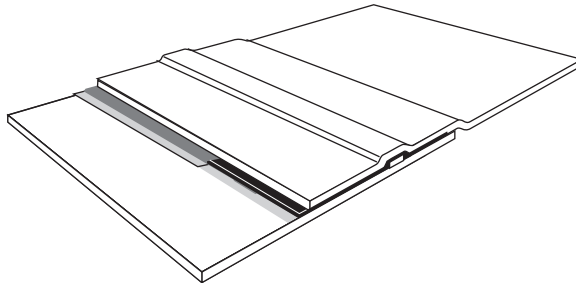


Fig. 3.2.23

Step 7: Remove paper backing

Remove the release paper from the tape by pulling at a 90° angle away from the seam. Pull the paper at a steady pace and keep it low to the roof surface as it is removed to reduce air pockets. Mate the entire length of the seam by hand following the removal of the release paper.

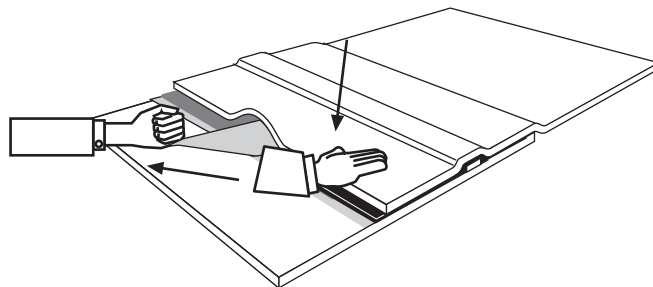


Fig. 3.2.24

Step 8: Roll the seam

Roll the seam using a 50 mm wide silicone rubber roller, both across the seam and along its entire length above both edges of the tape. Do not use Quickroller.

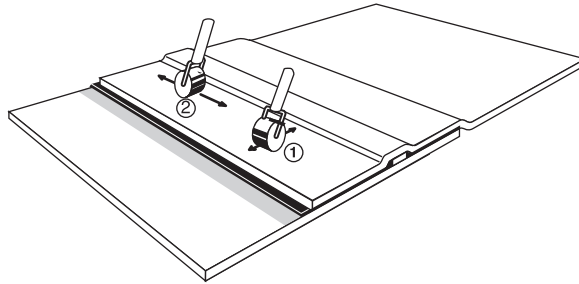


Fig 3.2.25

Note: The same special considerations as previously described are applicable at T-joints, where adjoining tapes overlap and with regard to seam edge treatment for reinforced membranes.

3.2.4 Splicing With QuickSeam Batten Cover Strip

■ Applicability

The QuickSeam Batten Cover Strip is designed for covering batten strips which are installed over the membrane (not within a seam area) in the mechanically attached system M.A.S..

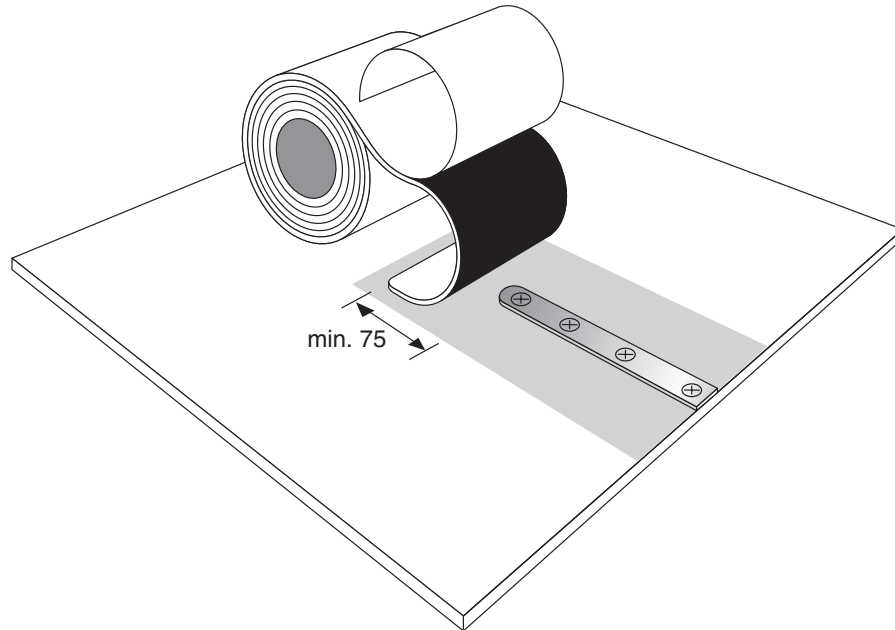


Fig. 3.2.26

■ Installation Instructions

It is important that all batten strips installed over the EPDM membrane are covered with a Cover Strip prior to the end of the working day.

Apply the QuickPrime Plus along the length of the strip to cover a minimum of 100 mm at both sides, following the same technique as previously described. Use long back and forth strokes with moderate to heavy pressure, until the surface becomes dark grey in colour. Also apply primer over the batten strips with no puddling. Allow the primer to flash off completely before applying the Cover Strip. To test for dryness, use the touch-push test.

Centre the Cover Strip over the batten strip, starting a minimum of 75 mm ahead of the batten strip as illustrated. Unroll the Cover Strip along the batten strip and mate it with the primed surface. Peel away the release paper as the strip is installed. Cut the Cover Strip to stop 75 mm beyond the end of the batten strip run. Roll the entire Cover Strip using a 50 mm wide silicone rubber roller. Roll perpendicular to the batten strip and then parallel to the strip over the exposed butyl edge, protruding at both sides of the strip. Seal all exposed cut edges with Lap Sealant.

■ Special Considerations

At the end of a QuickSeam Cover Strip roll, the adjoining roll shall overlap a minimum of 25 mm. Apply QuickPrime Plus in the overlapping area and allow the primer to flash off prior to splicing the overlap. Install a QuickSeam patch as illustrated below.

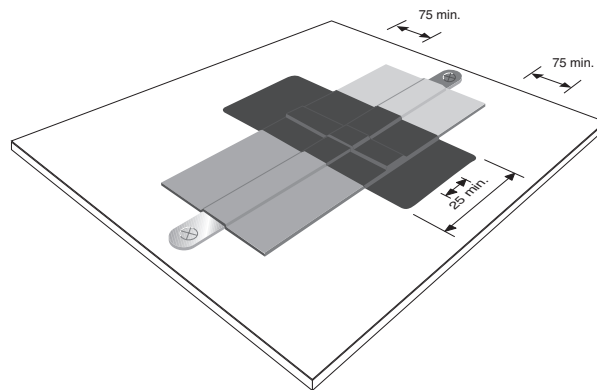


Fig. 3.2.27

At all junctions where Cover Strips overlap field seams, a QuickSeam patch should be installed with dimensions as illustrated below. An alternative is to interrupt the batten strip and Batten Cover strip at the crossing of the field seam, allowing an interval of 200 mm max between batten strips.

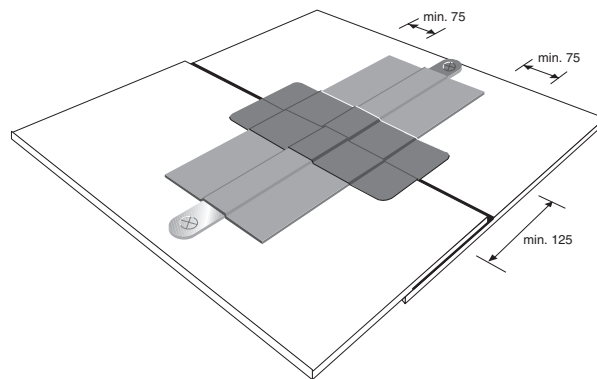


Fig. 3.2.28

Cover Strips should not overlap at T-junctions, detail as illustrated.

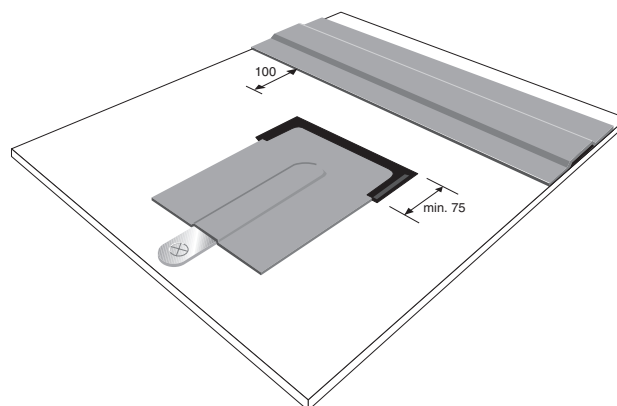


Fig. 3.2.29

3.2.5 Splicing With QuickSeam R.M.A. Strips

■ Applicability

The QuickSeam R.M.A. strip is designed to offer non-penetrating mechanical attachment in the R.M.A. system.

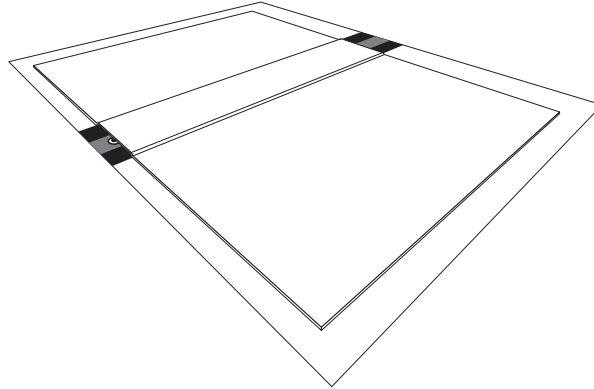


Fig. 3.2.30

■ Installation Instructions

Step 1: Install QuickSeam R.M.A. strips

Mechanically attach the QuickSeam R.M.A. strips to the substrate as per the wind uplift requirements. The QuickSeam R.M.A. strips can be attached using approved plates and fasteners or batten strips and fasteners. The EPDM membranes are loose laid over the QuickSeam R.M.A. strips in the most appropriate direction.

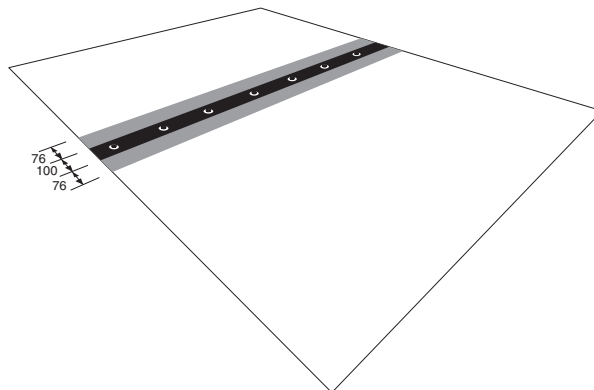


Fig. 3.2.31

Step 2: Position the EPDM sheets

Fold back the EPDM membrane to expose the QuickSeam R.M.A. strips. When working with small widths of membrane or in windy conditions, tack the EPDM membrane back onto itself with QuickPrime Plus or use temporary ballast to keep the membrane in place.

Step 3: Apply QuickPrime Plus

Apply QuickPrime Plus to the back of the EPDM membrane over the width of the QuickSeam R.M.A. strip and eventually to the portion of the QuickSeam R.M.A. strip without tape. For ease of application it is recommended to use the QuickScrubber Plus stand-up tool. Make sure that the primer has been applied to a sufficient width and quantity. This step is critical; therefore double-check the seaming area for a correct application.



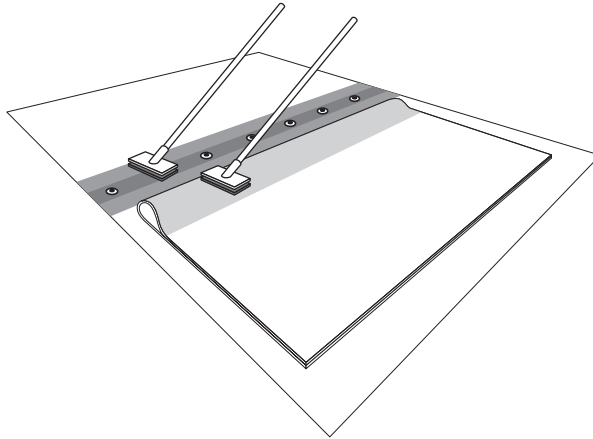


Fig. 3.2.32

Step 4: Remove paper backing

Allow the QuickPrime Plus to flash off completely. To test for dryness, use the touch-push test. Remove both release papers from the QuickSeam R.M.A. strip and roll the field membrane onto the strip, keeping a rounded leading edge to avoid wrinkles. Hold both hands on top of the primed membrane when rolling it in, to avoid wrinkles.

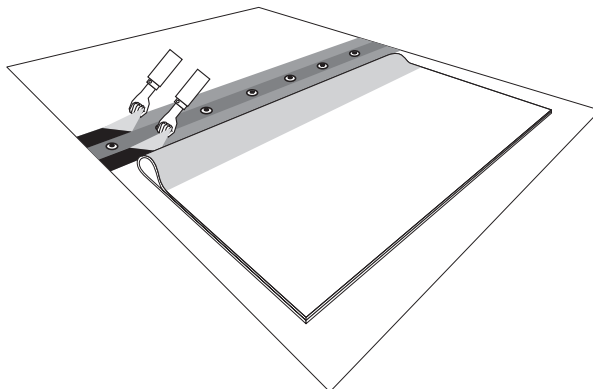


Fig. 3.2.33

Step 5: Roll the QuickSeam R.M.A strip

Roll the strips using the QuickRoller stand-up tool or a 50 mm wide silicone rubber roller, both across the strip and along its entire length above both tapes (both edges).

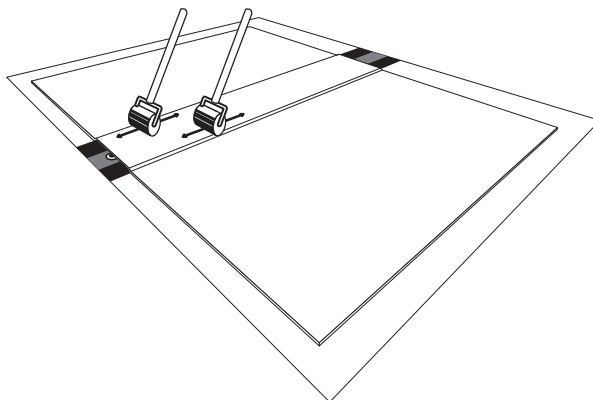


Fig. 3.2.34



3.2.6 Splicing With Splice Adhesive

■ Applicability

Experience has learned that QuickSeam details are far more reliable, quick and cost-effective than Splice Adhesive details. Therefore the QuickSeam solution should always be the method of choice for any seaming or detailing application. If for some specific reason a QuickSeam solution is not available, Splice Adhesive alternatives could be used to splice together EPDM with EPDM or regular FormFlash with EPDM at details if the following installation instructions have been met.

■ Installation Instructions

- EPDM to EPDM and/or FormFlash to EPDM overlaps should always have a minimum width of 100 mm of adhesive seam.
- Remove excess of dust, dirt and other contaminants from the EPDM membrane by brooming or wiping. If necessary, scrub the splice area with soapy water and rinse with clean water.
- Use clean cotton rags to clean the mating surfaces thoroughly with Splice Wash in a circular motion forward; allow to dry. Adequate cleaning has been achieved when the surface is dark grey in colour and no streaking is evident. Cotton rags must be replaced with clean ones as they become dirty. FormFlash material is clean and not dusted and does not need to be pre-cleaned.
- Apply the Splice Adhesive using a 100 mm wide by 12 mm thick solvent resistant brush in an even, smooth coat. Use long back and forth strokes, so that brush marks bleed out, leaving a smooth, glossy adhesive surface. Apply the Splice Adhesive to both mating surfaces at about the same time to allow approximately equal flash off times. Avoid puddling and do not overwork the adhesive. Use of paint rollers is not allowed as application rates are uncertain. Where other seams (field or factory) cross a field seam, use one short back stroke perpendicular to the seam to leave extra adhesive at the step off.
- Allow the adhesive to flash off completely, use the touch-push test to check: touch the adhesive surface in the middle of the seam with a clean, dry finger. If no adhesive "strings up" or transfers to the finger, the adhesive is ready for the push test. Push sideways on the adhesive. The adhesive film should not move. The adhesive can skin over giving the false impression that it is dry. The base may still be wet, allowing the surface to slide.
- Close the seam by mating both coated surfaces. Roll the assembled seam with a 50 mm wide silicone rubber roller using positive pressure. Roll toward the outer edge of the seam, then along its entire length above the edge. The pressure will strengthen the seam.
- Wait a minimum of 4 hours before sealing the exposed edge with Lap Sealant, to enable the solvents of the adhesive to flash off. If Lap Sealant is applied too soon, the additional solvents of the sealant may swell the sheet putting additional stresses on the freshly installed seam. The edge of the seam should be sealed either before the end of the working day, if inclement weather is threatening or within 24 hours. Clean the edge of the seam where the Lap Sealant is to be applied and apply a 25 mm bead of Lap Sealant, centred above the edge of the seam (coverage rate 6 lm per tube). Feather the Lap Sealant over the edge using the tool provided or install the Lap Sealant directly using the preformed nozzle.

Notes:

- Every detail in the following chapters specified with QuickSeam FormFlash or QuickSeam Flashing materials can be alternatively executed using regular FormFlash and Splice Adhesive provided the above mentioned instructions are followed and the minimum overlap for adhesive seams of 100 mm is respected.
- Regular FormFlash should obligatory be applied using Splice Adhesive. QuickPrime Plus is not sufficient.



3.3 Base Tie-in

3.3.1 Base Tie-in General

In order to account for structural movement of the substrate, stresses inherent in the handling and production of elastomeric sheets and thermal variations, the EPDM membrane should be mechanically attached at all locations where the membrane ends or passes through an angle change greater than 15%, such as roof edges, curbs, interior walls, around roof penetrations, etc.

If the securement is inadequate to resist these stresses, the membrane may tear or pull away from the termination and allow water to enter the building.

For situations where the installation of a base tie-in detail is required but not feasible, consult Firestone's Technical Department for advice.

There are two methods of membrane securement at the base tie-in, either the installation of a QuickSeam Reinforced Perimeter Fastening Strip with batten strips or seam plates beneath the field membrane or the installation of batten strips directly over the field membrane.

For the following reasons, Firestone recommends the use of a QuickSeam Reinforced Perimeter Fastening Strip wherever possible:

- Reduced installation costs: the Q.S.R.P. Fastening Strip allows for an economical installation, eliminating the increased labour required when interrupting the field membrane.
- Fewer roof seams: the system is a non-penetrating method of roof membrane attachment. Field seams at perimeter walls and roof curbs can be eliminated.
- More adapted to inclement weather conditions: perimeter walls and roof curbs can be temporarily protected against moisture prior to splicing. The roof is watertight at upstands the first day.

The Firestone QuickSeam Reinforced Perimeter Fastening Strip needs to be installed with appropriate fasteners at maximum centres of 300 mm.

Firestone recommends the use of metal batten strips. Point attached fastening systems can be used as an alternative in combination with the QuickSeam Reinforced Perimeter fastening strip. When fixing directly over non-reinforced EPDM membrane, the use of a batten strip is always required. Point attached fastening systems can not be used in this situation.

Fasteners should be installed so that the fastener heads are flush to the batten or plate. When battens are cut, the cut end must be rounded to remove burrs and sharp edges.

Some types of insulation materials such as extruded and expanded polystyrene should not come into contact with the solvents of QuickPrime Plus. It is recommended to extend the vapour control layer 300 mm at the edge of the roof and cover the insulation prior to installation of the base tie-in detail, in order to protect the insulation materials.

Refer to the details at the end of this document or consult Firestone's Technical Department for base tie-in details to adjoining roofing systems.



3.3.2 Base Tie-in With QuickSeam Reinforced Perimeter Fastening Strip

■ Applicability

The QuickSeam Reinforced Perimeter Fastening Strip is designed to be used in all systems to attach the field membrane at straight parapets, roof curbs and interior walls. It is the standard detail for perimeter base tie-ins. The strip should not be used as a mechanically attached perimeter picture frame or as the separating batten between the adhered perimeter and the central area in mechanically attached systems.

■ Installation Instructions

The QuickSeam Reinforced Perimeter Fastening Strip is unrolled along the wall upstand and is either attached to the flat roof substrate or against the wall. The selection for vertical or horizontal attachment is related to the ease of application (nature of the substrate, thickness of insulation). A vertical attachment into the upstand is recommended whenever possible. Note that in the following illustrations, the batten strip on top of the QuickSeam Reinforced Perimeter Fastening Strip can be replaced by plates.

Horizontal attachment of Perimeter Fastening Strip

Position the strip as close as possible in the angle change, making sure that it lays flat without any wrinkles. The tape with release paper is wound on the outside of the roll. The tape portion of the strip shall be placed so that the tape side is the farthest from the wall upstand. Allow a maximum gap of 10 mm between the strip and the wall.

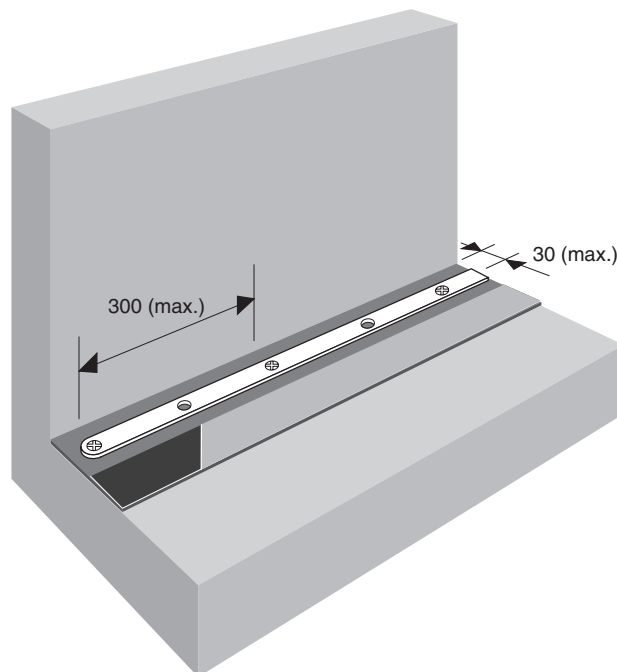


Fig. 3.3.1

Install the batten strip as illustrated, over the portion of the strip without tape. Avoid buckling and position the batten and fasteners approx. 30 mm from to the edge of the strip. Do not cover any part of the release paper with the batten strip.

Vertical attachment of Perimeter Fastening Strip

Position the strip over the substrate along the entire length of the wall. Position the portion of the Q.S.R.P.F. Strip without tape 50 mm up against the wall, making sure the strip lays flat on the horizontal without any wrinkles.

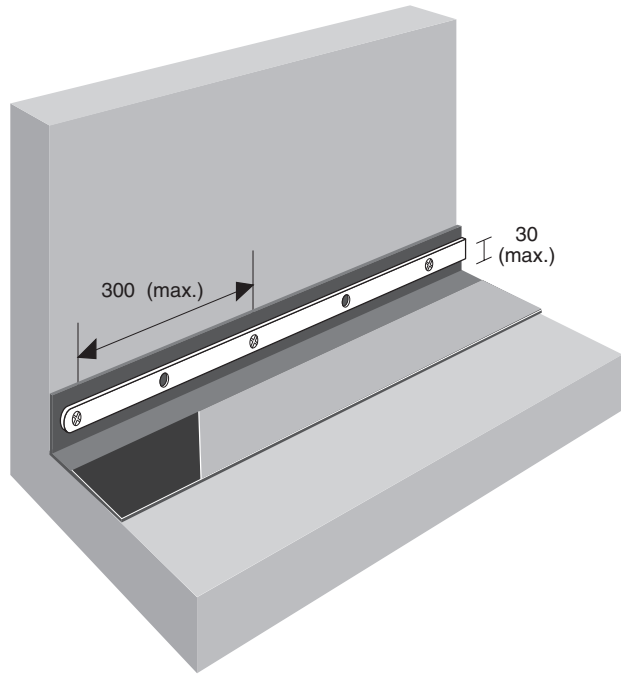


Fig. 3.3.2

Install the batten strip as illustrated without causing buckling on the vertical within 30 mm of the angle break.

■ **Special Considerations**

The Q.S.R.P.F. Strips may not overlap and should be stopped a maximum of 150 mm from the corner at all inside corners. In the horizontal installation, batten strips will be installed as illustrated below.

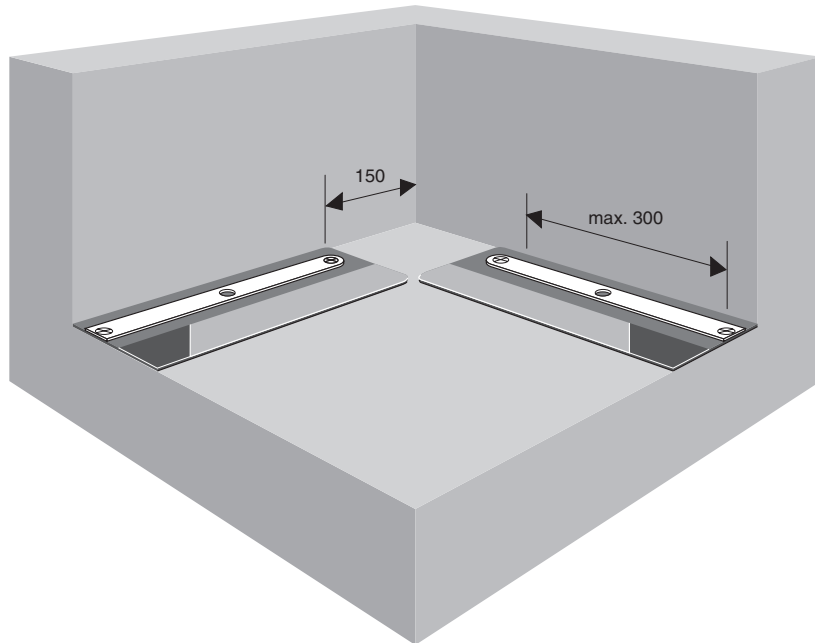


Fig. 3.3.3



In the vertical installation, batten strips must also end a maximum of 150 mm from the corner, as illustrated.

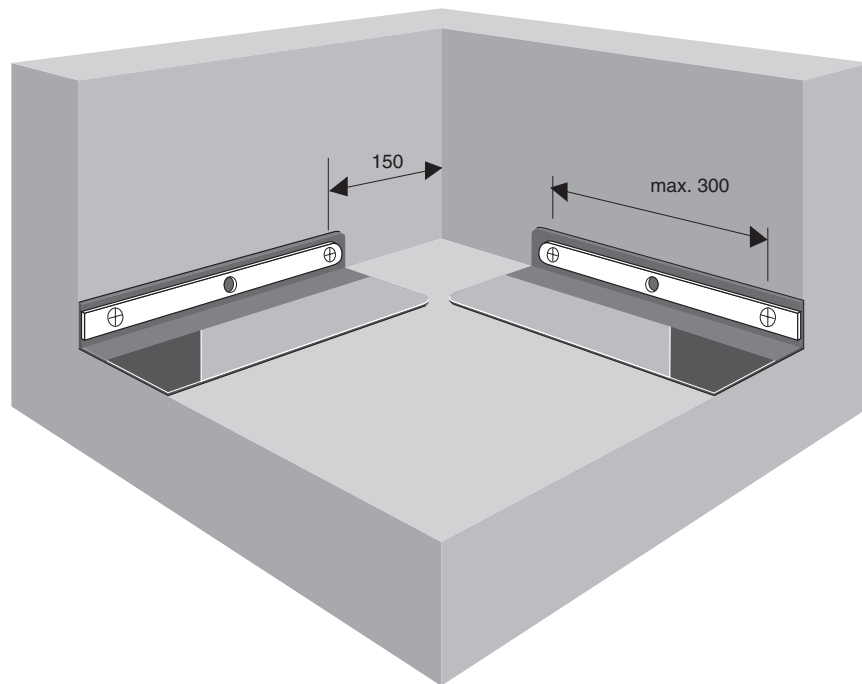


Fig. 3.3.4

At outside corners, batten strips and Q.S.R.P.F. strips must be stopped a maximum of 150 mm from the corner, as illustrated.

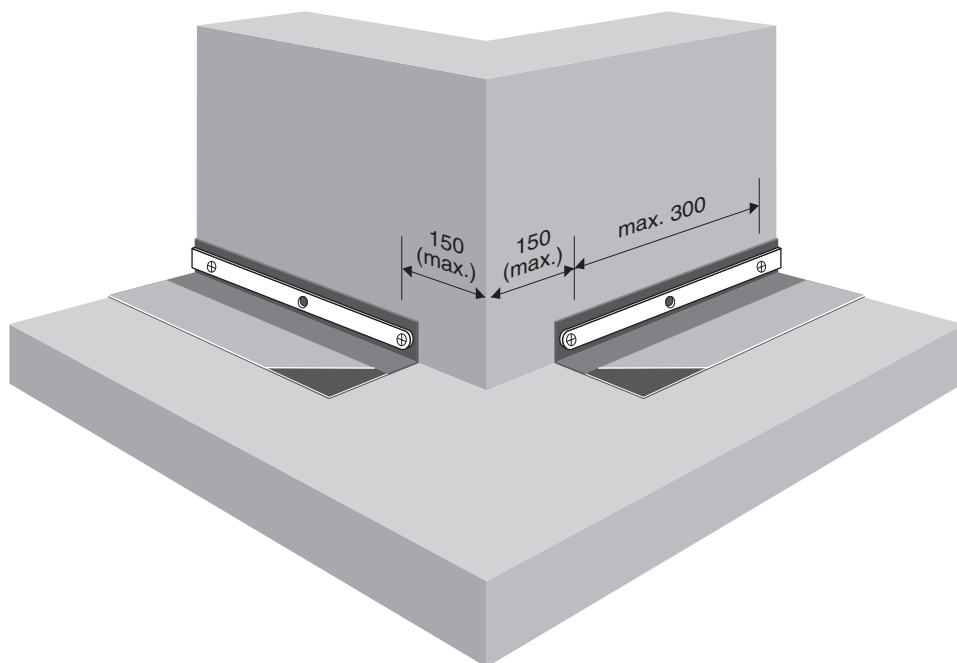


Fig 3.3.5



Adjoining QuickSeam Reinforced Perimeter Fastening Strips need to butt-join at the end of the roll.

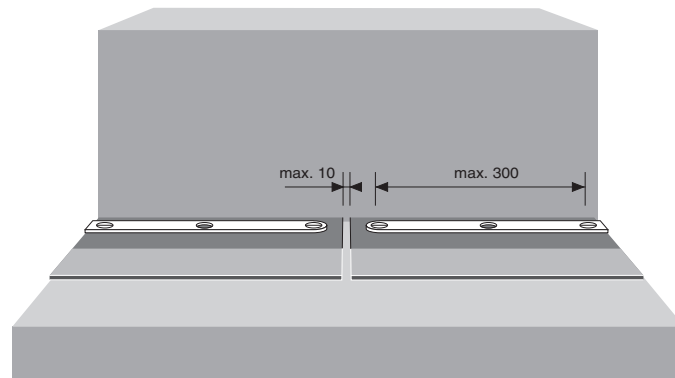


Fig. 3.3.6

If a structural steel support in the angle break makes mechanical attachment impossible, the QuickSeam Reinforced Perimeter Fastening Strip may be positioned maximum 150 mm out from the angle. Refer to the details at the end of this document for additional information.

3.3.3 Base Tie-in With Batten Strips

■ Applicability

The base tie-in detail with batten strips is used as an alternative to the QuickSeam R.P.F. Strip. This detail is more suitable for curved parapets, curbs and interior walls; it is also systematically used around small skylights (less than 1.5 m x 1.5 m) and for picture frames around roof penetrations (HVAC, pipe penetrations, etc.).

■ Installation Instructions

Batten strips are either installed on the flat roof substrate or on the wall. The selection for vertical or horizontal attachment is related to the ease of application (nature of substrate, thickness of insulation). A vertical attachment into the upstand is recommended whenever possible.

Horizontal installation

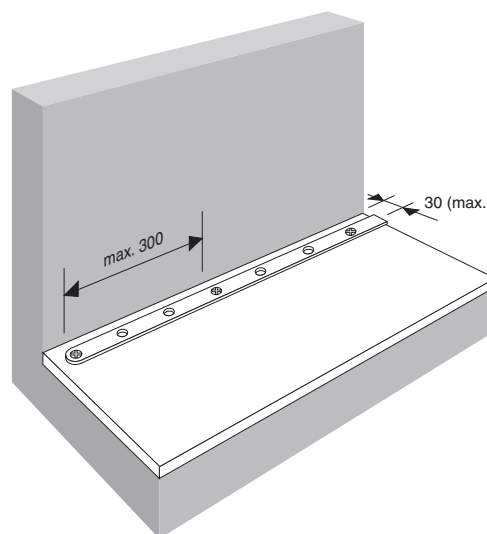


Fig. 3.3.7

Install the batten strip as close as possible to the angle change. The centre of the strip should be positioned within 30 mm of the angle change. The batten strip should be fastened at 300 mm centres with appropriate fasteners. More frequent fastening centres may be required to achieve a continuous compression and avoid buckling. The EPDM membrane must extend 20 mm beyond the edge of the batten strip. Adjoining batten strips must be overlapped with a single fastener anchoring both sections. When batten strips are cut, the cut ends must be rounded to remove all burrs and sharp edges. Batten strips should be started and finished as close as possible to the inside and outside corners. Position the last fastener maximum 10 mm from the end of the strip.

Vertical installation

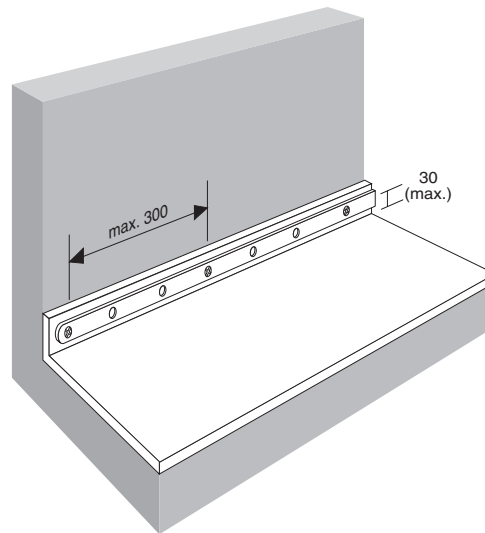


Fig. 3.3.8

The EPDM field membrane should be positioned against the upstand a minimum of 50 mm, extending 20 mm above the top edge of the vertically installed batten strip. For curved curbs, the membrane should be cut to the shape of the curve to avoid wrinkles in the field membrane.

Install the batten strip on the vertical within 30 mm of the angle change. No bridging of the membrane at the angle change is allowed. Batten strips should not be bent around corners. For concrete and masonry walls, pre-drilling will be required. The batten strip should be fastened at 300 mm centres with appropriate fasteners. A more frequent fastening pattern may be required to achieve a continuous compression and avoid buckling.

Use a vacuum machine to pick up all dust, when holes are pre-drilled, prior to starting wall flashing.

3.4 Wall Flashing

3.4.1 Wall Flashing General

The wall flashing details are in line with the two methods of base tie-in, previously described. Either the field membrane has to be spliced onto the QuickSeam Reinforced Perimeter Fastening Strip prior to covering the wall, or the upstand can be flashed with separate strips of EPDM membrane or QuickSeam FormFlash/SA Flashing . The method with QuickSeam Reinforced Perimeter Fastening Strip will provide an economical, non-penetrating detail which is recommended whenever possible.

Evaluate the substrate and the quality of all existing flashings. The substrate must be secure and allow for adequate adhesion. Textured masonry, corrugated metal panels, uneven substrates and some insulation materials may require an overlay in accordance with the requirements previously mentioned. If adhesion is not sufficient, remove loose, unsecured, mineral surfaced or coated flashings to provide a smooth and sound substrate.

Select the most appropriate method for flashing curb upstands in function of the situation. Curb flashings are required around skylights, HVAC-units, plinths, etc. The most practical and economical method to cover upstands longer than 1.5 m is to use EPDM field membrane over a QuickSeam Reinforced Perimeter Fastening Strip. Smaller details (i.e. skylights up to 1.5 m x 1.5 m) are usually completely flashed with separate EPDM strips or QuickSeam FormFlash/SA Flashing strips covering a batten strip base tie-in.

When flashing to metal work, the metal will act as a barrier to the solvents. The solvents can only dry through one surface (the adhesive), this will make the drying process slower than onto the membrane.

Intermediate attachment with batten strips is required for high walls, under the conditions mentioned in the table below. Refer to the details at the end for additional information with regard to installation of the attachment.

Wall Height	Intermediate Attachment Requirements
up to 1.5 m	None
1.5 - 3.0 m	at 1.5 m
> 3.0 m	every 1.0 m

Intermediate attachment is not required regardless of wall height when existing flashings are removed and the wall surface is smooth without noticeable high spots or depressions (i.e. plywood, pre-cast concrete, masonry where mortar joints are flush with the surface, etc.). However, the wall flashing should always be terminated with one of the details illustrated at the end of this document.



3.4.2 Flashing Over QuickSeam Reinforced Perimeter Fastening Strip

■ Applicability

This installation method is used at all locations where a QuickSeam Reinforced Perimeter Fastening Strip is installed.

■ Installation Instructions

Fold the field membrane back 150 mm from the wall to expose the QuickSeam Reinforced Perimeter Fastening Strip. Make sure that the strip is correctly installed prior to starting the cleaning operation. Clean and prime the back side of the field membrane in the area to be adhered (200 mm).

Apply the primer using long back and forth strokes along the length of the splicing area until the surfaces become dark grey with no streaking or puddling. Follow the application techniques previously described. Apply also primer over the batten strip and the portion of the Q.S.R.P.F. Strip without tape. Avoid puddling of the primer at the change of angle between the horizontal surface and the parapet. Allow the primer to flash off and check for dryness.

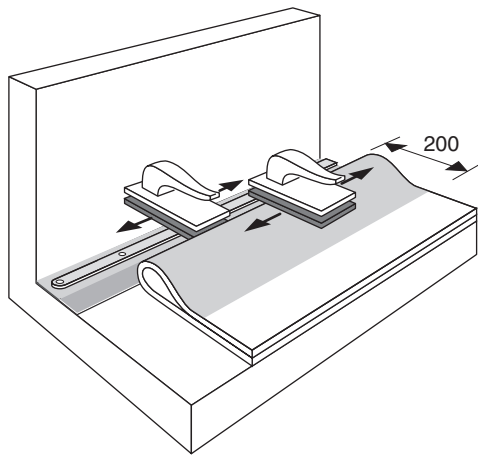


Fig. 3.4.1

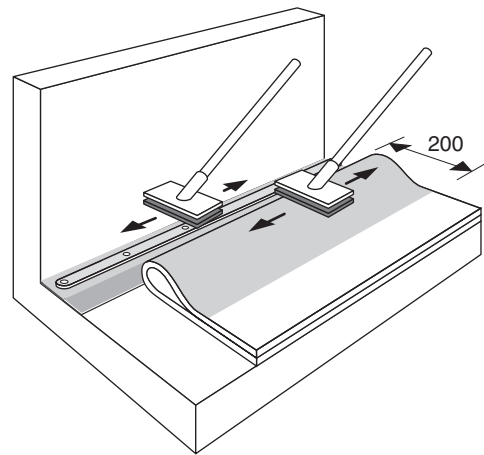


Fig. 3.4.1.bis

Remove the release paper from the Q.S.R.P.F. Strip and roll the field membrane toward the change of angle, keeping a rounded leading edge to avoid wrinkles. Hold both hands on top of the coated membrane when rolling it in, to avoid bridging in the change of angle.

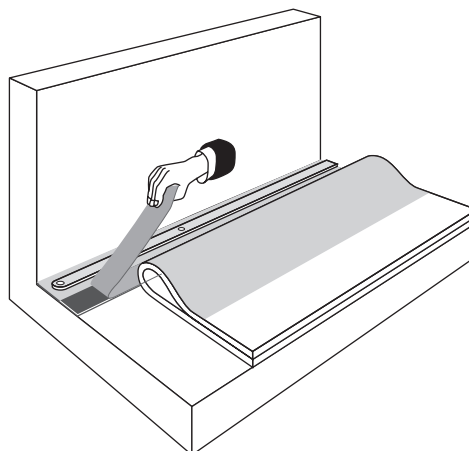


Fig. 3.4.2

Mate the field EPDM to the Q.S.R.P.F. Strip and roll it with the QuickRoller stand-up tool or a small 50 mm wide silicone rubber roller first perpendicular to the wall, then parallel along the batten strip.

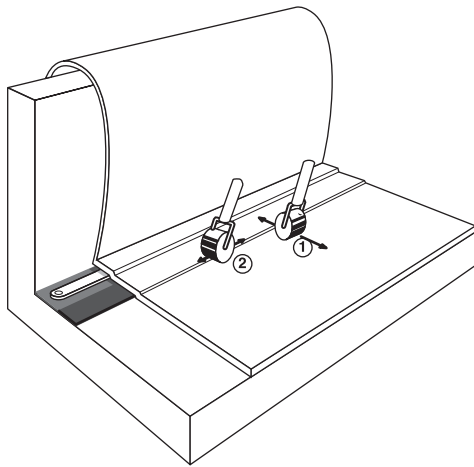


Fig. 3.4.3

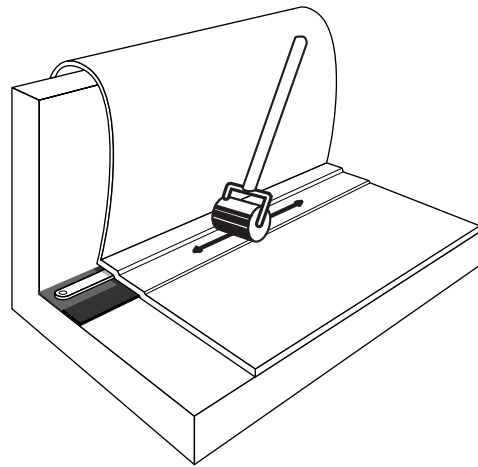


Fig. 3.4.3 bis

Apply Bonding Adhesive simultaneously to both wall and backside of the field membrane to allow for equal drying times. Apply the adhesive first to the wall to avoid spilling adhesive over a surface that has already been covered.

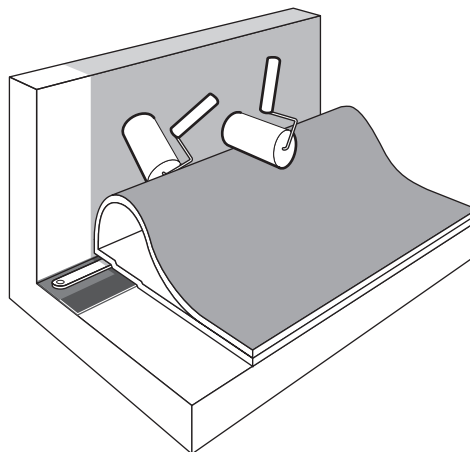


Fig. 3.4.4

Allow the adhesive to dry. Once the adhesive has flashed off, roll the flashing up the vertical surface. Keeping a rounded leading edge will result in a wrinkle free application. When the flashing is installed by two people, the operation should be started in the centre, working out towards both ends. Roll the flashing evenly into the adhesive. Work slowly up the wall, mating the flashing to the substrate by hand. Compress the bond with a stiff brush.

3.4.3 Flashing Over Batten Strips

■ Applicability

This installation method is used at all locations where the installation of a QuickSeam Reinforced Perimeter Fastening Strip is not applicable. When using a batten strip over the field sheet as base tie-in, the wall can be flashed either with separate EPDM strips or QuickSeam FormFlash/SA Flashing. In general QuickSeam FormFlash is more suitable for curved walls, low upstands and small skylights, while EPDM/SA Flashing strips can be used for long and straight curbs.

■ Installation Instructions

Flashing with QuickSeam FormFlash/SA Flashing Strips

When measuring the width of the QuickSeam FormFlash/SA Flashing material, allow the strip to cover the wall to the height required, plus 75 mm for the seam onto the horizontal EPDM sheet. For skylight curbs, measure the appropriate length of the strip to extend the detail for an outside corner a minimum of 75 mm.

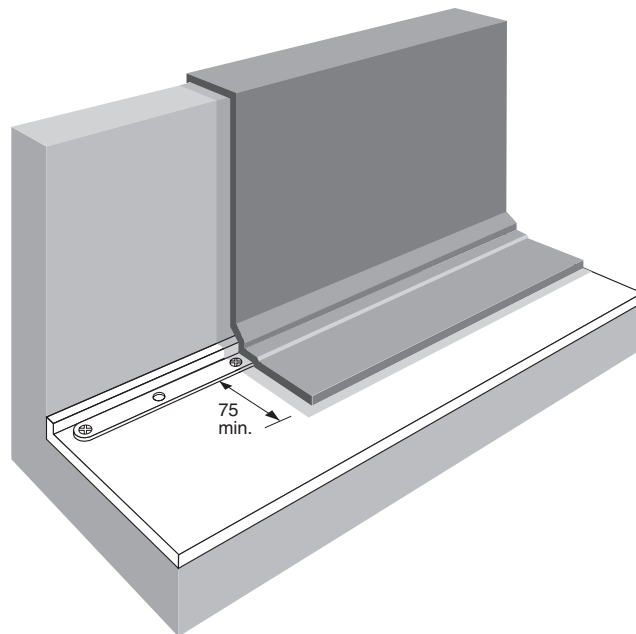


Fig. 3.4.5

When necessary, pre-clean the seaming area with Splice Wash.

Apply QuickPrime Plus in the seaming area and on the vertical surface. Avoid a build-up of QuickPrime Plus at the top of the batten strip and at the 90-degree break. Let the QuickPrime Plus flash off. Remove the release paper and install the QuickSeam FormFlash/SA Flashing using the rolover method. The key is to work the QuickSeam FormFlash/SA Flashing tight into the 90-degree angle change and avoid bridging. Roll the detail with a 50 mm wide silicone rubber roller.

Roll the QuickSeam FormFlash with a silicone roller with the polyethylene film still in place. Do not roll heavily over the batten strip to avoid damaging the QuickSeam FormFlash. Remove the polyethylene film and check if the QuickSeam FormFlash is tight to the 90-degree angle change. If not, manually work it into the angle. Use a hot air gun in cold conditions. Seal all exposed cut edges of the flashing with Lap Sealant.

Flashing with EPDM Membrane Strips

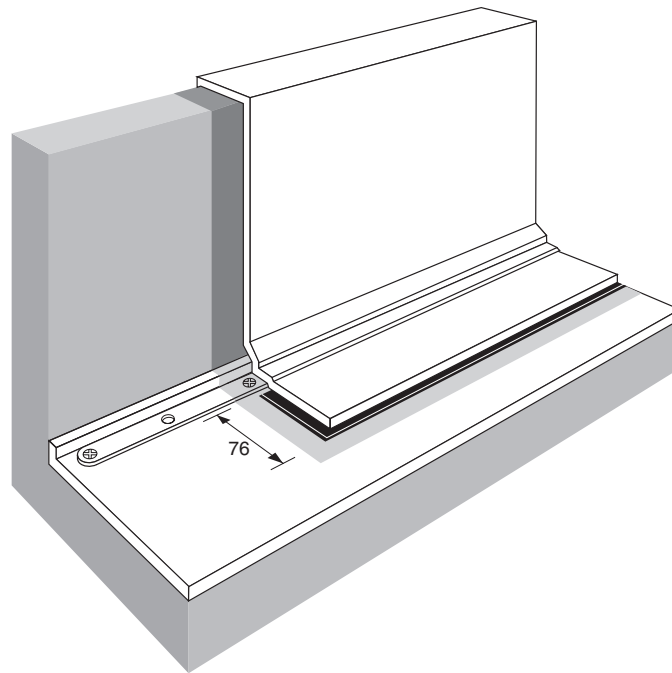


Fig. 3.4.6

When measuring the width of the EPDM material, allow the EPDM strip to cover the wall to the height required, plus 100 mm for the seam onto the horizontal EPDM sheet. The longest pieces practical can be used to flash high walls to the specified height. Selecting the correct cut for EPDM strips is a time saver. Factory seams should preferably run parallel to the flashing seam. This will serve as a stabilizer of the flashing to avoid wrinkles.

Position the EPDM strip 150 mm from the angle break along the wall to be flashed. Clean and prime the field membrane and the EPDM strip in the splice area over a width of 150 mm with QuickPrime Plus. Avoid a build-up of primer over the batten strip and at the 90-degree angle break. Allow the QuickPrime Plus to dry completely. For larger upstands it might be more appropriate to apply the QuickPrime Plus to the EPDM flashing piece only after the strip has been adhered to the wall

Install a 76 mm (3") wide Splice Tape on the field membrane. Position the tape as close as possible to the angle brake on the horizontal surface. The tape may not cover the batten strip or turn up against the vertical upstand.

Apply Bonding Adhesive to the remaining area of the EPDM strip and to the wall. Roll the EPDM flashing into the wall, keeping a rounded leading edge. Mate the flashing by hand and broom with a stiff brush.

Trim the horizontal overlap of the flashing EPDM strip so that 10 mm of the release paper is exposed. Remove the release paper from the tape and mate the EPDM strip to the tape. Roll the horizontal base of the EPDM strip with a silicone roller, first perpendicular to the direction of the seam and then along its entire length.

Special Considerations

Adjoining wall flashings are overlapped using standard seaming techniques. The installation of a joint cover piece at the base is required.

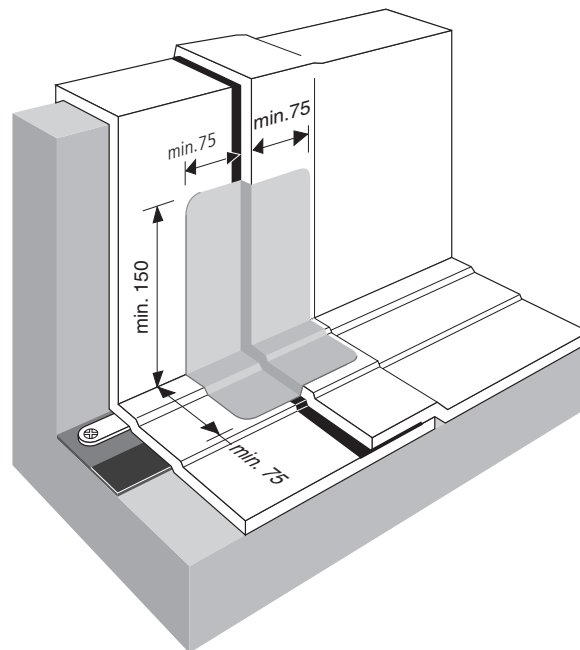


Fig. 3.4.7

The two adjoining flashing sheets are installed with an overlap in accordance with the requirements outlined in a previous section. Install a joint cover piece of minimum 150 by 225 mm centred over the seam edge as illustrated.

3.5 Corners

3.5.1 Inside Corner

■ **Folded Inside Corner**

■ **Applicability**

At inside corners, the EPDM membrane can be folded into a pig-ear and adhered to the upstand as illustrated below. This offers a non-penetrating, watertight detail that can be applied on any roof. Note however that this detail becomes more difficult to execute and less esthetic on higher upstands.

■ **Installation Instructions**

The wall flashing is fully adhered to the upstand with the techniques previously described. Work the EPDM membrane tightly into the angle change and continue up against the upstand.

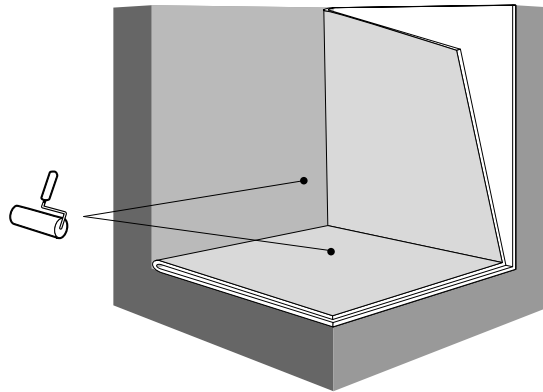


Fig 3.5.1

Continue the flashing up against the other wall, allowing the membrane to form an internal pig-ear as illustrated. Close the pig-ear and work from the base to remove all entrapped air.

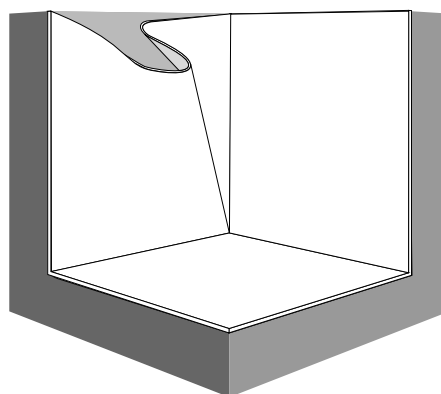


Fig. 3.5.2

It is recommended to apply Splice Adhesive in order to close the pig-ear against the upstand. The use of QuickPrime Plus or Bonding Adhesive is also allowed, although less performing.

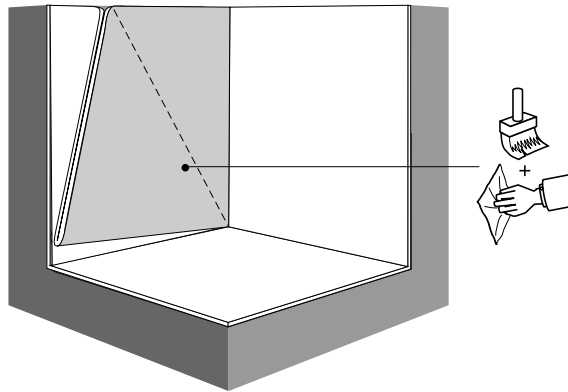


Fig. 3.5.3

Close the pig-ear and roll the adhered part tightly into the corner. Properly terminate the flashing with an appropriate termination detail.

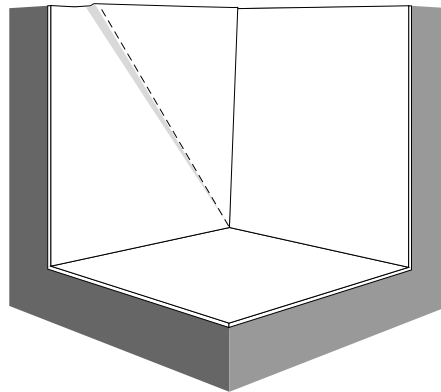


Fig. 3.5.4

■ Inside Corner using 229 mm (9") QuickSeam FormFlash

■ Applicability

When flashing higher upstands, the EPDM membrane is cut at the corners so that a vertical seam can be made at the angle change. The vertical seam is completed with 76 mm (3") QuickSeam Splice Tape in accordance with general seaming techniques.

An alternative is to cut the membrane completely away to create a butt joint. In this case, the flashing techniques remain the same, only the length of the first flashing piece needs to be sufficient to cover the base overlap with the EPDM membrane (100 mm), the parapet height, plus 100 mm over the top of the parapet.

■ Installation Instructions

The inside corner details is a two step process using two identical pieces of QuickSeam FormFlash to cover the pinhole in the corner. Apply QuickPrime Plus on the membrane, to an area covering 150 mm out from the pinhole on the horizontal and 250 mm on the vertical surface.

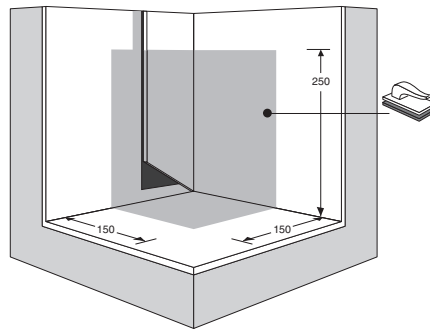


Fig. 3.5.5

Both pieces of QuickSeam FormFlash are 229 mm wide and 300 mm long. Make sure to round all corners of the cut QuickSeam FormFlash pieces. Allow the QuickPrime Plus to flash off completely before mating the QuickSeam FormFlash.

Fold the first QuickSeam FormFlash piece back onto itself lengthwise, making sure the fold is approximately 10 mm offset from the center of the piece. Fold back a square base on the smaller half and remove the release paper.

Position the folded base on the horizontal surface, 10 mm out from the upstand, as illustrated. Work the flashing piece tightly into the angle change and continue up against the upstand opposite to the vertical seam.

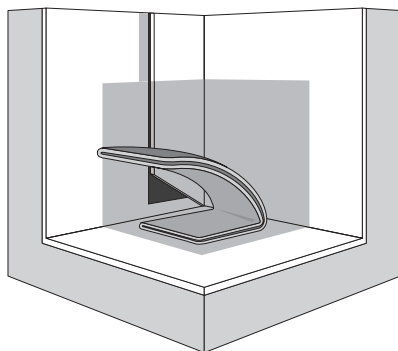


Fig. 3.5.6

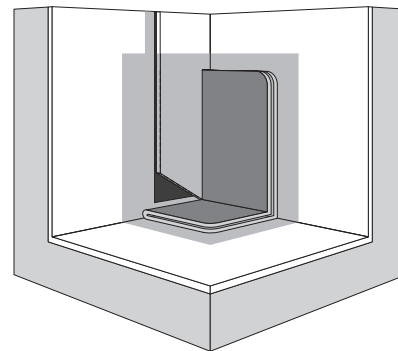


Fig. 3.5.7

Work the QuickSeam FormFlash piece into the two remaining angle changes, forming a pig ear as illustrated. Beginning at the base, press the piece onto the upstand to form the pig ear fold. Work from the base of the fold to remove any entrapped air. Roll the QuickSeam FormFlash gently with a silicone rubber roller before removing the protective film.

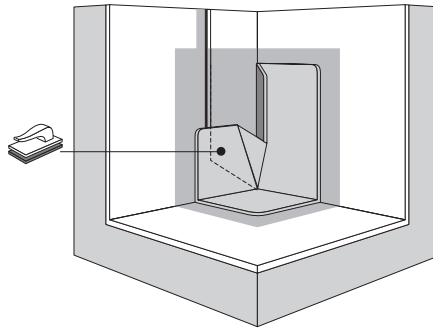


Fig. 3.5.8

Apply QuickPrime Plus to the area that will be covered by the pig ear as illustrated and adhere the pig ear on the side of the vertical seam. Roll all adhered parts of the QuickSeam FormFlash piece with a small 50 mm wide silicone roller.

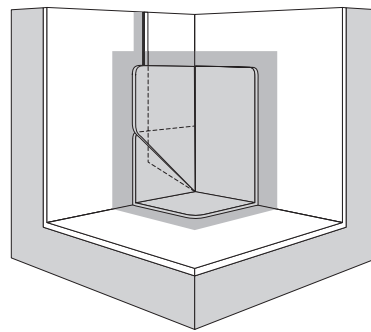


Fig. 3.5.9

Use the second piece of QuickSeam FormFlash to cover the pig ear fold after reapplying QuickPrime Plus in the designated area. Make sure to center the width of the second piece over the side edge of the first piece and work it completely into the angle change. Roll the entire flashing piece with a silicone roller. Seal all exposed cut edges with Lap Sealant.

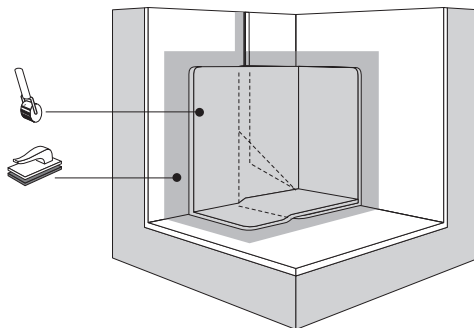


Fig. 3.5.10

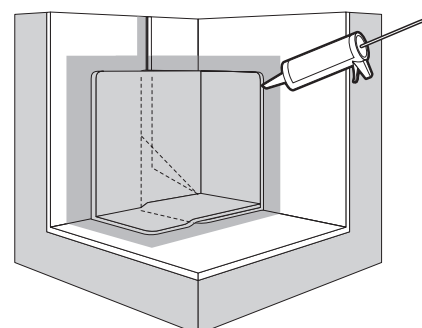


Fig. 3.5.11

3.5.2 Outside Corner

■ Outside Corner using 229 mm (9") QuickSeam FormFlash

At outside corners, the EPDM flashing can be continuous (wrap piece on smaller penetrations), or in separate flashing pieces that are spliced together with a vertical seam at the corner. In both cases, the pinhole at the bottom of the outside corner will be waterproofed using a square piece of QuickSeam FormFlash of 229 mm wide that is cut circular at one end. Round off the cut corners on the opposite side. The use of a heat gun can be advantageous to properly work in the QuickSeam FormFlash.

After completion of (eventually) the vertical seam at the corner, clean the corner area with QuickPrime Plus as illustrated. Fold the QuickSeam FormFlash piece in half with the release paper on the outside. Remove the paper from the square half.

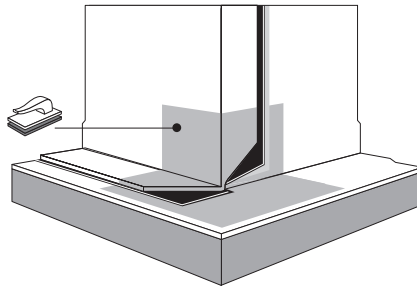


Fig. 3.5.12

Position the flashing piece with the center aligned at the corner. Wrap both sections around the corner and mate them to the vertical upstand.

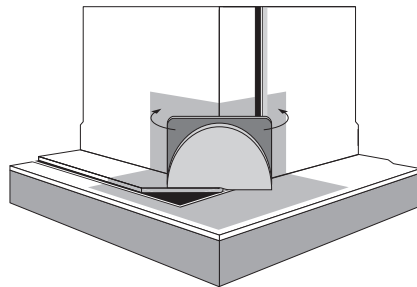


Fig 3.5.13

Remove the second half of the release paper as well as the protective film and work the QuickSeam FormFlash from the tape side down to the angle change, as illustrated. Work the piece into the angle and continue out approximately 20 mm onto the horizontal surface, without overstretching. The diamond pattern into the material should remain visible. Fold the remaining of the circular part onto the horizontal surface, taking care to evenly distribute the stresses.

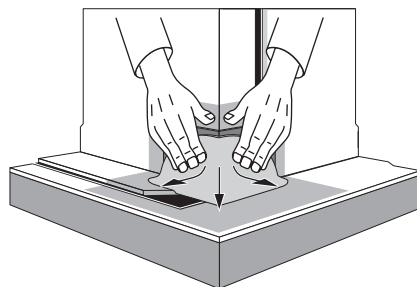


Fig. 3.5.14

Roll the corner detail with a silicone roller from the inside towards out. Apply Lap Sealant along all exposed cut edges of the QuickSeam FormFlash.

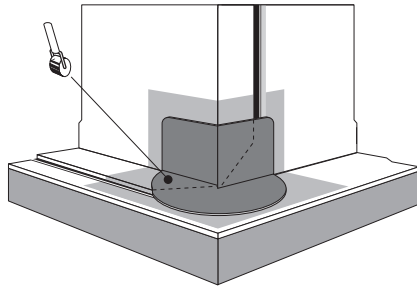


Fig. 3.5.15

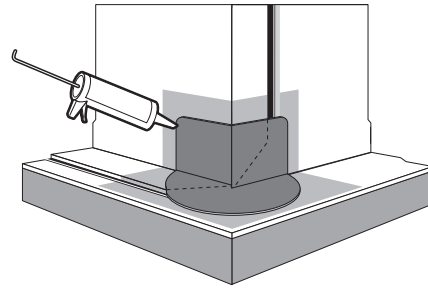


Fig. 3.5.16

Note:

If the different EPDM flashing strips are butt-jointed at the corner edge, the QuickSeam FormFlash piece should be long enough to cover the base overlap with the EPDM membrane (100 mm), the height of the upstand and an additional 100 mm to cover the top of the upstand when necessary.

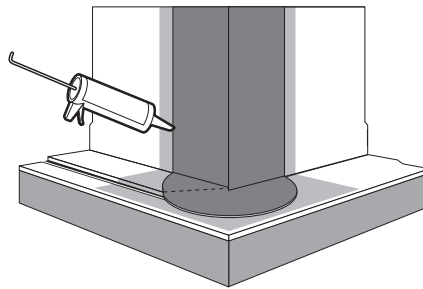


Fig. 3.5.17

The one-piece outside corner detail cannot be executed in regular FormFlash using Splice Adhesive. An outside corner detail in regular FormFlash always requires the use of 2 pieces (see hereafter).

■ Alternative Outside Corner Detail

When dressing small roof penetrations (skylights, HVAC units,...), it can be more practical and/or cost-effective to flash in the upstands completely with QuickSeam FormFlash instead of using EPDM flashing strips. In this case, the outside corner detail is a two-step process.

Apply QuickPrime Plus to the EPDM membrane and upstand as illustrated.

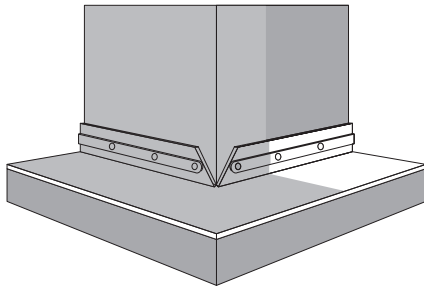


Fig. 3.5.18

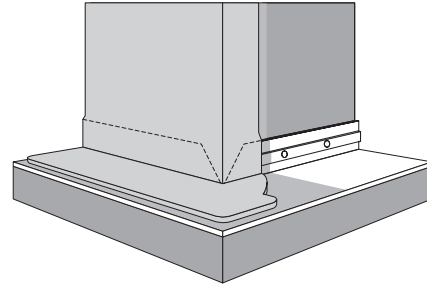


Fig. 3.5.19

Allow the QuickPrime Plus to flash of completely before mating the QuickSeam FormFlash. Install the first flashing piece with a base overlap of 75 mm and exceeding the corner by 75 mm. Work the QuickSeam FormFlash into the angle before mating it to the vertical surface. Roll the QuickSeam FormFlash gently with a 50 mm wide silicone rubber roller while it is still protected by the protective film. Remove the protective film and work the corner tightly into the 90° angle. In order to complete the corner wrap, it is recommended to trim of half of the strips of FormFlash exceeding the corner. Apply heat if necessary. Avoid overheating and overstretching of the QuickSeam FormFlash.

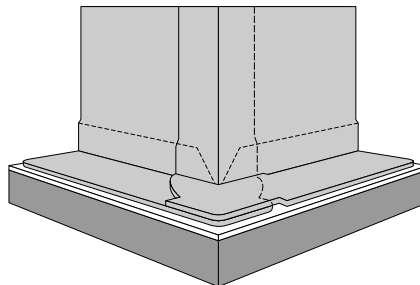


Fig. 3.5.20

Repeat this procedure, starting from the other side to provide an overlap of at least 75 mm at the corner. Apply QuickPrime Plus on the area to be overlapped, complete the corner detail and seal all exposed cut edges of the QuickSeam FormFlash with Lap Sealant.

3.6 Pipe Penetrations

3.6.1 Penetrations General

This section provides information with regard to detailing around circular and odd shaped roof penetrations.

All penetrations passing through the membrane should be flashed using one of the following techniques:

- QuickSeam Pipe Boot or Conduit Flashing.
- Field fabricated pipe flashing.
- Penetration Pocket.

For re-roofing applications, all existing flashings should be stripped off (i.e. lead , existing roofing membranes, mastic, etc.) prior to installation of the new detail. The flashing seal must be made directly to the penetration.

All pipes must be anchored to the deck, as loose pipes move and may damage the flashing.

All rubber components should be protected from direct contact with steam or heat sources when the in-service temperature of the penetration is in excess of 82°C. In such cases the flashing can be installed directly to an intermediate insulated cool sleeve. Pipe boots and QuickSeam FormFlash require the installation of a rain collar at the sleeve/pipe junction.

In mechanically attached systems a batten layout is required around each pipe penetration. Refer to the details at the end of this document for additional information.

All metal edges used at pipe penetrations must have rounded corners.



3.6.2 QuickSeam Pipe Boot / QuickSeam Conduit Flashing

■ Applicability

The QuickSeam Pipe Boot is designed for circular pipes from 25 to 175 mm in diameter where the top of the pipe is accessible. This technique is not applicable for the following situations: structural steel tubing, multiple penetrations close to one another, when the pipe is too close to the wall, flexible penetrations such as cables, on uneven surfaces, for thin metal stacks or hot pipes. The QuickSeam Conduit Flashing is designed for small pipes from 13 mm to 65 mm.

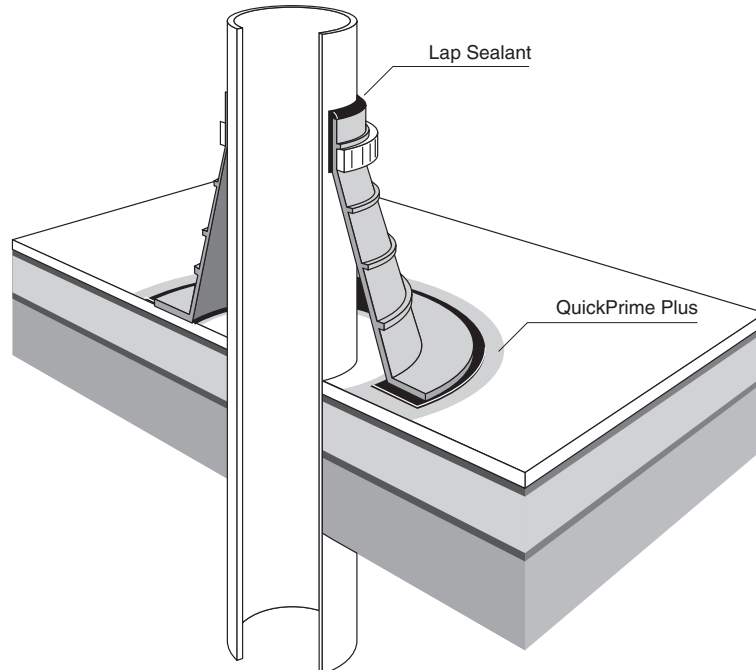


Fig. 3.6.1

■ Installation Instructions

Clean the pipe and the field membrane around the pipe (approximately 150 mm) with Splice Wash. If the pipe is rusted or cannot be cleaned with Splice Wash, clean it with a steel brush, then clean with Splice Wash. Select the proper pipe boot size by positioning it on the pipe so it fits snugly. Mark the pipe boot and cut off the top portion just above the sizing ring.

Scrub-apply the QuickPrime Plus around the pipe in square fashion by making four strokes on the four sides of the pipe. Allow the QuickPrime Plus to flash off (5 to 10 minutes). Pull the pipe boot down until the flange lays freely on the base membrane. Remove the backing paper from underneath the flange, smooth the flange first with hand pressure, then roll it with a small 50 mm wide rubber roller. Peel down the top of the pipe boot approximately 25 mm and apply a bead of Lap Sealant around the entire circumference of the pipe. Roll the top of the pipe boot gently back into place. Install the stainless steel clamping ring below the appropriate sizing ring and tighten the locking screw. It is important that the clamping ring seats onto a flattened surface of the boot.

3.6.3 Field Fabricated Pipe Flashing

■ Applicability

This technique applies to circular pipes or supports where the top is not accessible and for accessible pipes larger than 175 mm in diameter. This technique cannot be used for multiple penetrations, flexible conduits, cables, small pipes less than 25 mm in diameter and hot pipes.

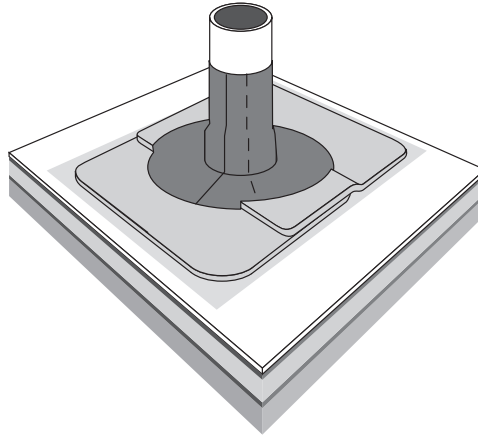


Fig. 3.6.2

Typically the roof membrane has been cut to accommodate the penetration. Before installing the pipe flashing, repair the cut as per Firestone specifications.

■ Installation Instructions

The base flashing of the pipe consists of two identical pieces of QuickSeam FormFlash. The dimensions of the QuickSeam FormFlash pieces are such to provide a base overlap of 75 mm with the field membrane in all directions and a 75 mm overlap between the two FormFlash pieces. This results in an overall dimension of $(150 + \varnothing) \times (75 + (75 + \varnothing)/2)$. Pipes larger than 225 mm in diameter require the use of one or two EPDM base pieces, applied with normal seaming techniques.

Apply QuickPrime Plus to the pipe and the base membrane around the pipe in the designated area. Allow the QuickPrime Plus to flash off completely. Apply the first piece of QuickSeam FormFlash and roll it towards the pipe, mark the diameter of the pipe on the back side of the QuickSeam FormFlash and make a horseshoe shape cut ensuring a 25 mm overlap up the pipe.

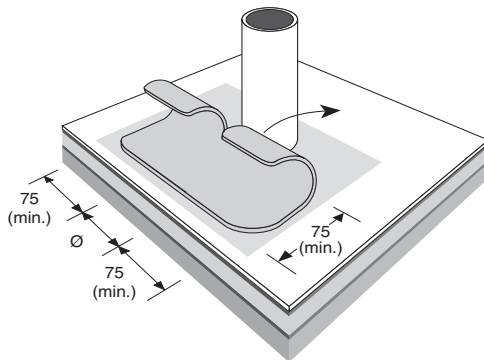


Fig. 3.6.3

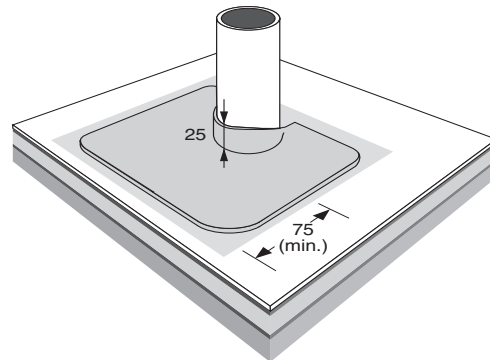


Fig. 3.6.4

Remove the protective film and mate the QuickSeam FormFlash without stretching to the primed area. Start at both outside edges, maintaining a straight line. Finally work the QuickSeam FormFlash into the base of the pipe. Apply QuickPrime Plus to the overlapping area and repeat the same procedure for the installation of the second piece forming an overlap of 75 mm minimum. Roll both pieces with a 50 mm wide silicone rubber roller.

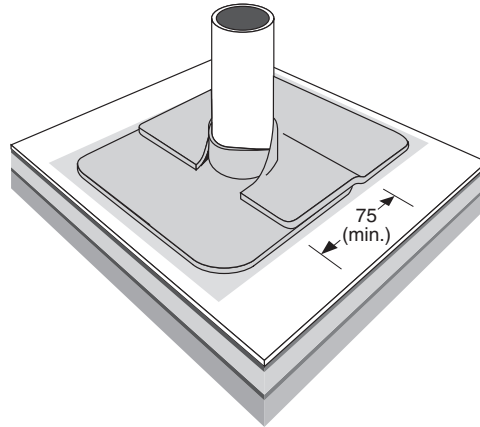


Fig. 3.6.5

Measure the third piece (pipe wrap) of QuickSeam FormFlash. This piece should overlap a minimum of 50 mm onto the base flashing. The appropriate length is determined by the circumference of the pipe plus 75 mm for the overlap. Fold back the wrap piece 50 mm and maintaining the fold, initiate contact at the base of the pipe. Stop when the first third of the piece is adhered vertically around the pipe. Use thumbs and forefingers to work the first part of the fold down and outward. Transfer all the stress in the QuickSeam FormFlash to the outside edge.

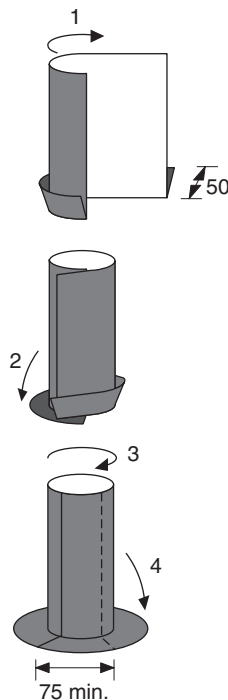


Fig. 3.6.6

Apply QuickPrime Plus to complete the overlap and complete the wrap. Finally, work in the opposite direction to work down the remaining part of the fold. Roll the wrap piece and seal all exposed cut edges with Lap Sealant.

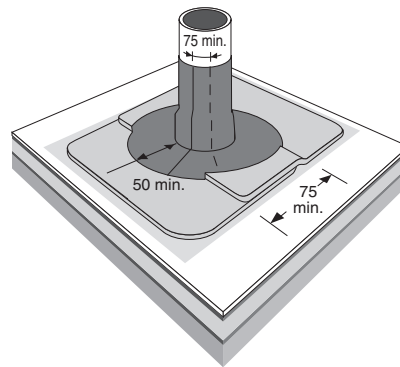


Fig. 3.6.7

■ Alternative Detail

The field fabricated pipe flashing can also be executed using two wrap pieces of QuickSeam FormFlash as illustrated. Make sure that the first wrap piece overlaps a minimum of 75 mm onto the field membrane and a minimum of 25 mm onto the pipe. The second wrap piece overlaps a minimum of 50 mm onto this base flashing.

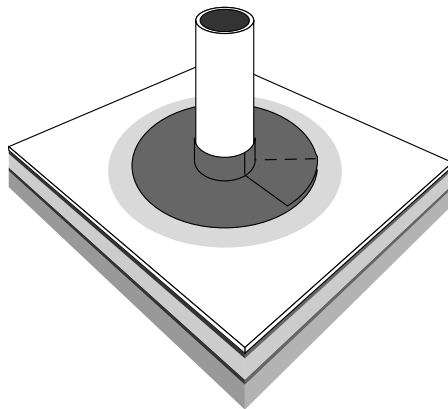


Fig. 3.6.8

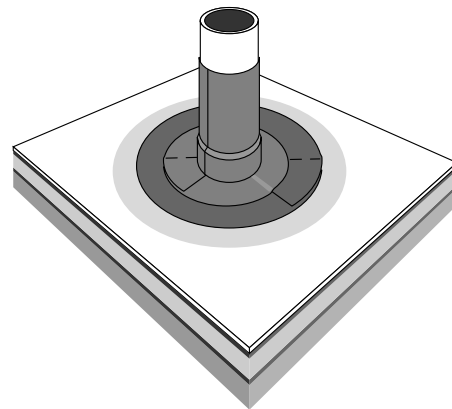


Fig. 3.6.9

This technique might be more appropriate for larger pipe penetrations.

3.6.4 Penetration Pocket

■ Applicability

Penetration pockets are designed as a last resort for flashing penetrations that cannot be flashed in any other way. This technique applies to clusters of pipes, odd shaped roof penetrations, I-beams, small pipes less than 13 mm in diameter, etc.

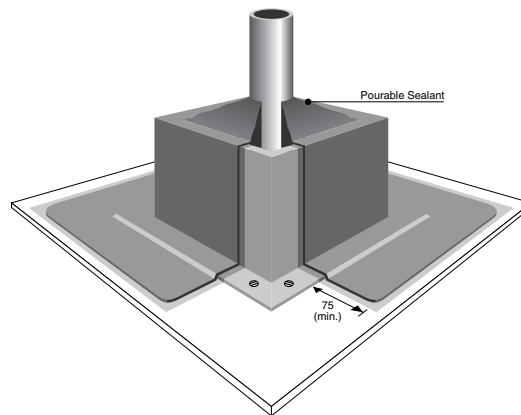


Fig. 3.6.10

■ Installation Instructions

In many cases, the field membrane should be cut to work around the penetration. The cut must be repaired as per Firestone specifications. The covering piece must lap a minimum of 75 mm beyond the cut in all directions. The field end of the cut should be rounded to prevent the cut from tearing further during the life of the roof.

Seal around the penetration prior to installation to prevent Pourable Sealer from flowing into the roof system and possibly into the building. Prime the penetration and the roof membrane with QuickPrime Plus.

A QuickSeam Penetration Pocket can be used as long as a minimum clearance of 25 mm between the sides of the penetration and reinforcing ring can be achieved. If a 25 mm clearance cannot be achieved with either a QS6 or QS10 Penetration Pocket, then a field fabricated penetration pocket must be used.

Option A: QuickSeam Penetration Pocket

Apply QuickPrime Plus to the inside of the reinforcing ring. After the primer has dried, place the plastic ring, centering it around the penetration. Ensure that there is a minimum of 25 mm clearance between the sides of the penetration and ring to allow for Pourable Sealer. Cut the Pocket along the line provided on the flange and up the side. With the release paper intact, place the pocket around the plastic ring so that the top lip covers the plastic ring. Remove the paper and attach the flange to the membrane. Roll it using a 50 mm wide silicone rubber roller. Repair the cut in the pocket using the QuickSeam Corner Flashing provided in the kit.

Option B: Field Fabricated Pocket

The flange corners of the penetration pocket must be rounded prior to installation. There must be 25 mm spacing between all penetrations and between each penetration and the side of the penetration pocket. The minimum height of the penetration pocket is 50 mm being the minimum acceptable thickness of Pourable Sealer.

Measure the four pieces of QuickSeam FormFlash as follows. The length of each piece must cover one side of the penetration pocket plus 150 mm (75 mm for each outside corner). The width will be 75 mm base lap plus metal flange; vertical height and 25 mm to be formed inside the pocket. Install the four pieces of QuickSeam FormFlash with QuickPrime Plus, starting on opposite sides of the penetration pocket. Adhere the 25 mm overhang into the pocket.

Refer to the product information sheet for information with regard to storage, mixing and preparation of the Pourable Sealant material. Use a stick to force the sealant between all penetrations while pouring it into the penetration pocket. Make sure that the sealant is worked between the pipes. Crown the penetration pocket by cresting the sealant in the centre and tapering it to the sides. Cool storage temperatures (below 15°C) may result in a difficult application. Seal all exposed cut edges of the QuickSeam FormFlash with Lap Sealant.



3.7 Drains And Scuppers

3.7.1 Roof Drain With Clamping Ring

■ Applicability

Roof drains with clamping ring are designed for vertical drainage of new roofs.

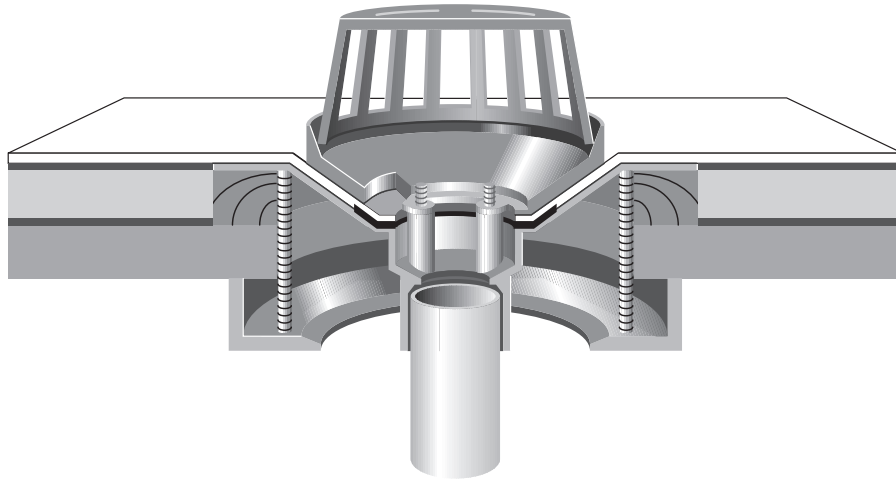


Fig. 3.7.1

■ Installation Instructions

When re-roofing, existing flashing materials must be removed down to the metal sump. Broken clamping rings must be repaired or replaced. Broken drain bolts must be drilled, tapped and replaced. Provide a clean even finish on the mating surfaces between the clamping ring and the drain bowl.

Taper insulation around the drain to provide a smooth transition from the roof surface to the drain. Use tapered insulation with suitable bonding surface to create a slope. The slope shall not exceed 1:3 with standard membrane and 1:12 with reinforced membrane. If a field seam runs within 450 mm of a drain, a 1.2 m by 1.2 m EPDM target cover piece should be installed on top of the roof EPDM membrane, ensuring the seam is covered. Trim the field sheet back to the outside edge of the drain bowl so that only one layer of EPDM is under the clamping ring.

Position the EPDM membrane, then cut a hole for the roof drain. Cut a circular drainpipe, but allow 20 mm of membrane extending inside the clamping ring past the drain bolts. Make sure the cut does not have edges that could tear over the life of the roof.

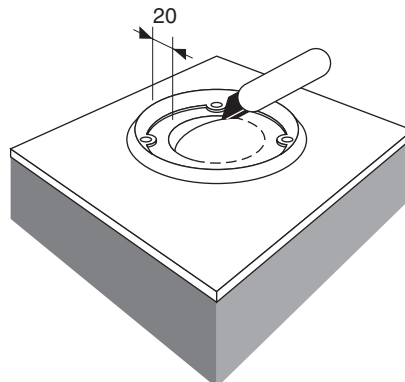


Fig. 3.7.2

Make round clean holes in the EPDM membrane to align with clamping bolts. Use a paper punch or a hammer. Do not cut the membrane back to the boltholes. Place Water Block on top of the drain bowl below the membrane where the clamping ring will sit. Use a minimum of one half tube per drain.

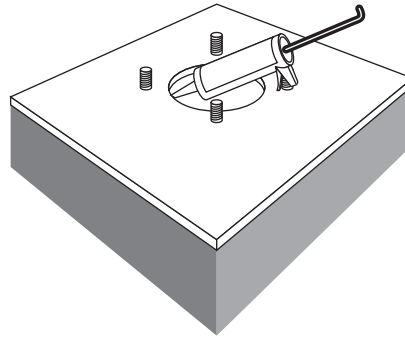


Fig. 3.7.3

Place the clamping ring over the EPDM membrane and install the clamping bolts. Tighten the clamping bolts to achieve a constant compression. Install the drain basket and twist-lock if the drain has a twistlock system.

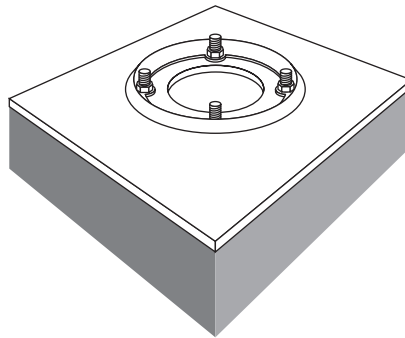


Fig. 3.7.4

3.7.2 Roof Drain Insert

■ Applicability

Drain inserts are typically used on drains with little or no sump and for re-roofing applications.

■ Installation Instructions

Remove the existing drain inserts on re-roofing projects or clean the existing ones for re-use. The field sheet must be in place prior to installation of the drain insert. Cut a circular hole over the centre of the drain. The hole should be as large as the drainpipe.

Install the drain insert in the hole. Apply a layer of Water Block sealant between the flange of the drain insert piece and the EPDM membrane around the drainpipe. Use a minimum of one half tube per drain. The flange of soft drain insert pieces (EPDM ...) must be fastened with Firestone batten strips and fasteners 100 mm on centre. Hard drain insert flanges may be fastened using plates and fasteners.

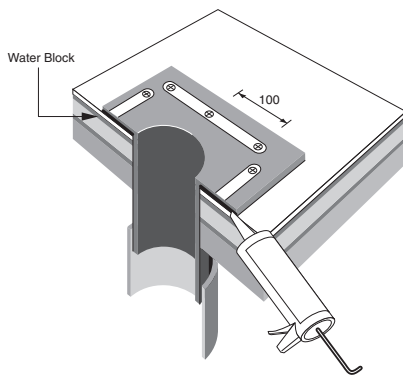


Fig. 3.7.5

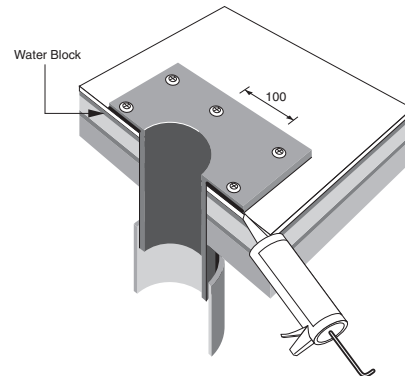


Fig. 3.7.6

Apply QuickPrime Plus to the designated area. The flange is flashed-in with QuickSeam FormFlash strips or a piece of QuickSeam SA Flashing extending 75 mm onto the field membrane and 75 mm past the fasteners in all directions.

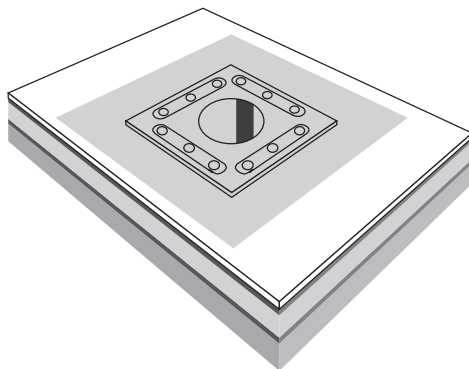


Fig. 3.7.7

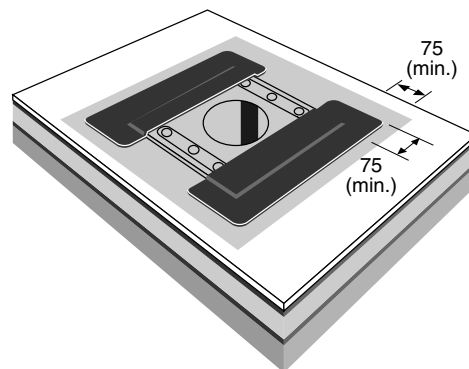


Fig. 3.7.8

Roll the QuickSeam FormFlash/SA Flashing cover pieces with a 50 mm silicone rubber roller and seal all exposed cut edges.

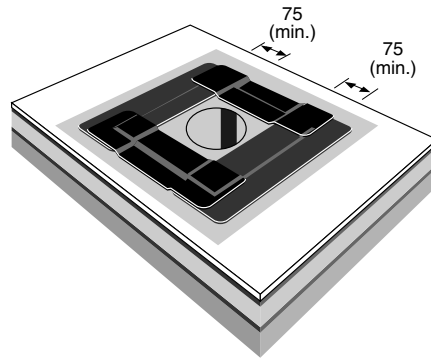


Fig. 3.7.9

3.7.3 Scupper

■ Applicability

Scuppers are used for roofs with a horizontal drainage system in vertical walls.

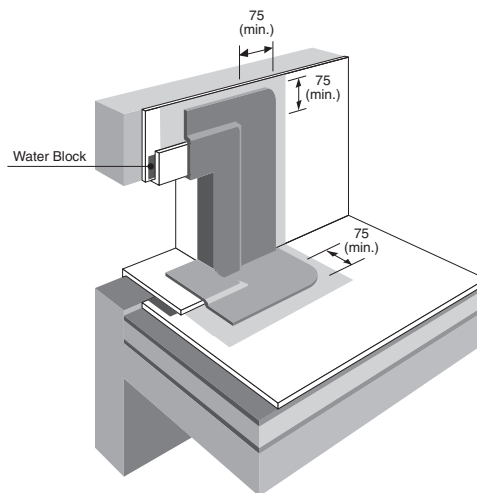


Fig. 3.7.10

■ Installation Instructions

The scupper insert piece usually consists of a welded metal sleeve. The entire interior of the flange needs to be flashed if the scupper insert is not welded watertight. All corners of the flanges need to be rounded. Remove existing scuppers and provide new watertight ones on re-roofing projects or clean the existing scupper for reuse. The field sheet must be in place prior to installation of the scupper insert.

Set the welded scupper piece in Water Block sealant and secure it to the structure. Measure the QuickSeam FormFlash strips to cover the visible flanges of the scupper insert. Overlap all edges of the metal flanges a minimum of 75 mm and fastener heads a minimum 75 mm. When necessary, clean the splicing area on the base membrane, wall flashing and metal flanges using Splice Wash. Pay extra attention on cleaning the metal because most metal sleeves have an oily film protection.

Apply QuickPrime Plus in the splicing area and allow to flash off completely. Once the QuickPrime Plus is ready, carefully install the QuickSeam FormFlash ensuring all lap splice requirements are being met. Roll the QuickSeam FormFlash flashing while it is still covered with the protective film in place. Remove the protective film and seal all exposed cut edges with Lap Sealant.



3.8 Expansion Joints

■ Applicability

Expansion joints should be installed at all locations as specified by the designer. Note however that expansion joints in the Firestone EPDM systems are easy to install.

Expansions joints have an extreme durability due to the high elasticity of the EPDM membrane, its high resistance to tear and long life performance when exposed to intense sunlight and external weather conditions, provided the detail is installed in accordance with the following instructions.

■ Installation Instructions

In ballasted systems, the insulation boards may bridge the expansion joint since both the loose laid insulation boards and the EPDM membrane can easily accommodate the building movements. The joint shall be covered with a galvanized sheet metal (min. thickness 1.0 mm) fastened at one side. In all other systems, the EPDM membrane should be mechanically attached at both sides of the expansion joint using Firestone batten strips and appropriate fasteners, 300 mm on centre. Do not cross the joint with a batten strip. Ensure enough excess of EPDM membrane to accommodate building movement. A compressible tube supports the membrane. The diameter of the insulation tube must exceed the deck or insulation opening by minimum 50 mm.

Flash both batten strips with a non-reinforced EPDM cover piece using standard seaming techniques. All seams crossing the expansion joint need to be flashed in with a QuickSeam patch. Flat expansion joints can be installed as illustrated below. Refer to the detail drawings at the end of this document for additional information with regard to other types of expansion joints.

Flat expansion joints

Ballasted/Inverted systems

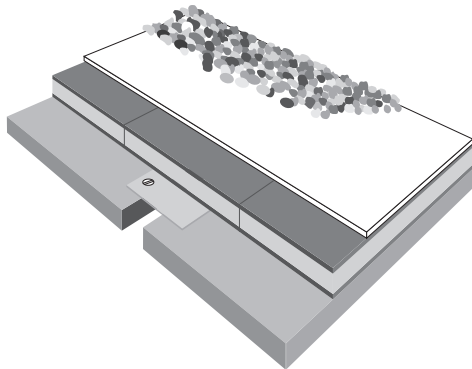


Fig. 3.8.1

Adhered / R.M.A. / M.A.S. / B.I.S. systems

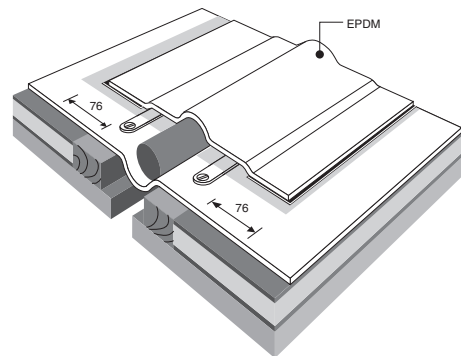


Fig 3.8.2

Expansion joint at junction between roof deck and vertical wall.

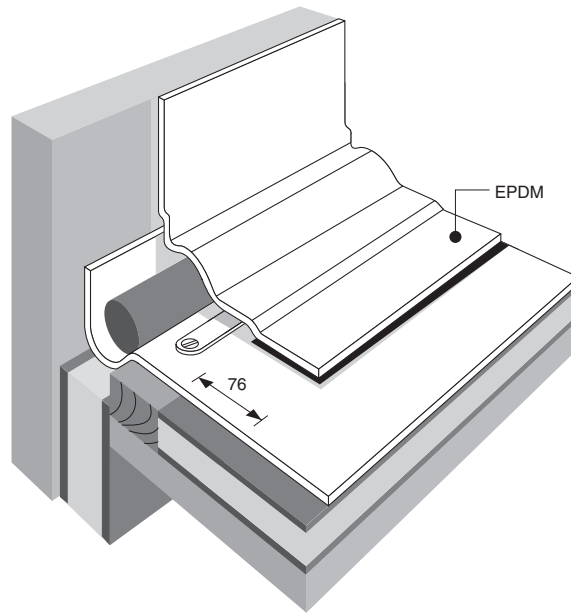


Fig 3.8.3

Seams in the EPDM cover piece should be flashed in with a strip of QuickSeam FormFlash as illustrated below.

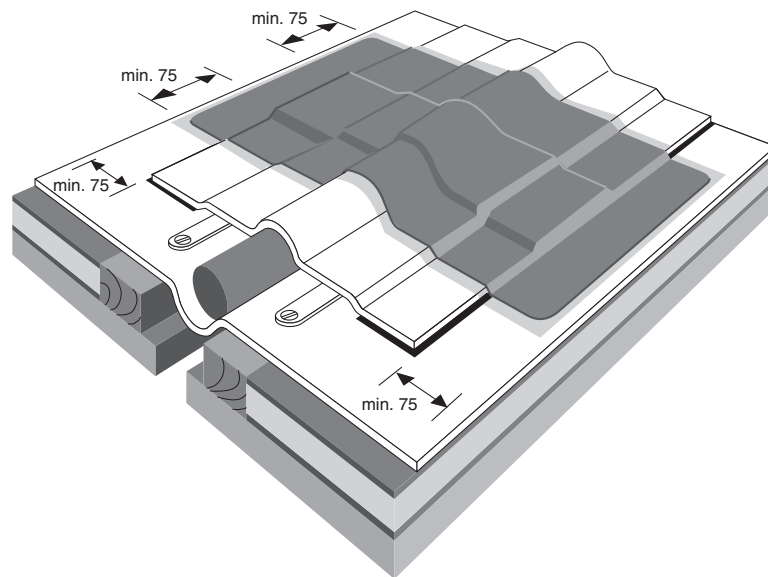


Fig. 3.8.4



3.9 Roof Edges

■ Applicability

A roof edge detail should be installed as specified by the designer at all flat edges of the roof where the field membrane ends and at internal and external gutters. The standard roof edge details illustrated in this section are generally applicable. Consult Firestone's Technical Department for assistance when designing an alternative detail that is more suitable for specific roof conditions.

■ Installation Instructions

Install a wood nailer at the roof edge. Allow the EPDM field membrane to pass over the edge by minimum 100 mm and fully adhere it to the front of the wood nailer over its full length. Use stainless steel screws to fasten the metal edge profile to the wood nailer at 100 mm on centre. Whenever possible, fasten as close as possible to the edge of the flange. Make sure that the front part of the profile extends a minimum of 25 mm over the underside of the wood nailer. Flash the horizontal flange of the metal profile with minimum 5" (127 mm) QuickSeam Flashing using QuickPrime Plus. Ensure adequate overlap. Special considerations should be made at the end of a roll, at field splices, corners and where adjoining pieces of metal edge profile overlap.

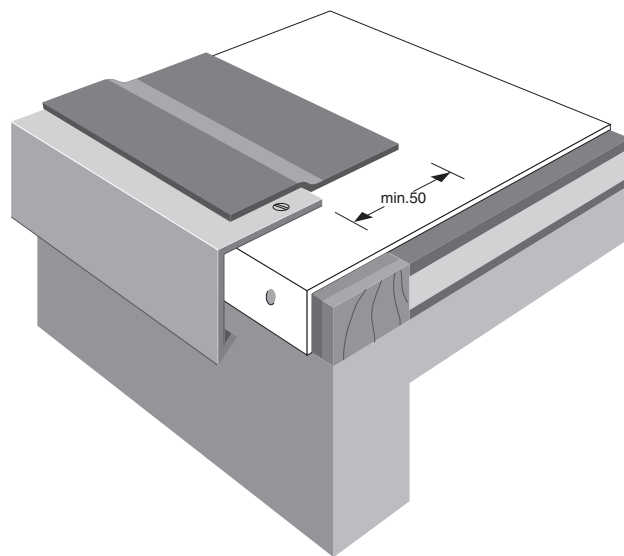


Fig. 3.9.1

For Ballasted and Inverted Systems, a Firestone Drain Bar profile may be used to prevent the gravel from blowing off the roof. Make sure that the top edge of the drain bar extends a minimum of 50 mm above the level of the field membrane. Fasten the drain bar at 150 mm centres. Use 40 mm stainless steel fasteners with rubber washers. Keep each length of the drain bar separated from the adjoining bar by 5 mm. At inside and outside corners, the bar must be cut and then continued. The drain bar must be fastened a maximum of 25 mm from each end of all sections.

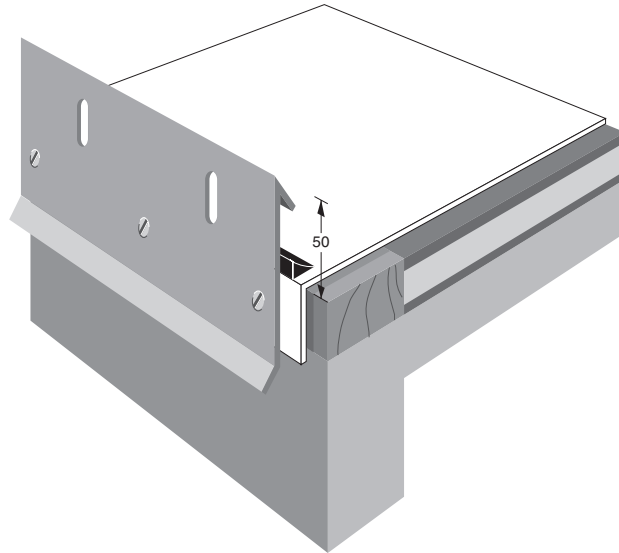


Fig. 3.9.2

Metal external gutters require the installation of an appropriate metal edge profile, which is adjusted to the shape of the gutter. Install the profile as previously explained and use 5" (127 mm) QuickSeam Flashing to flash in the flange of the profile.

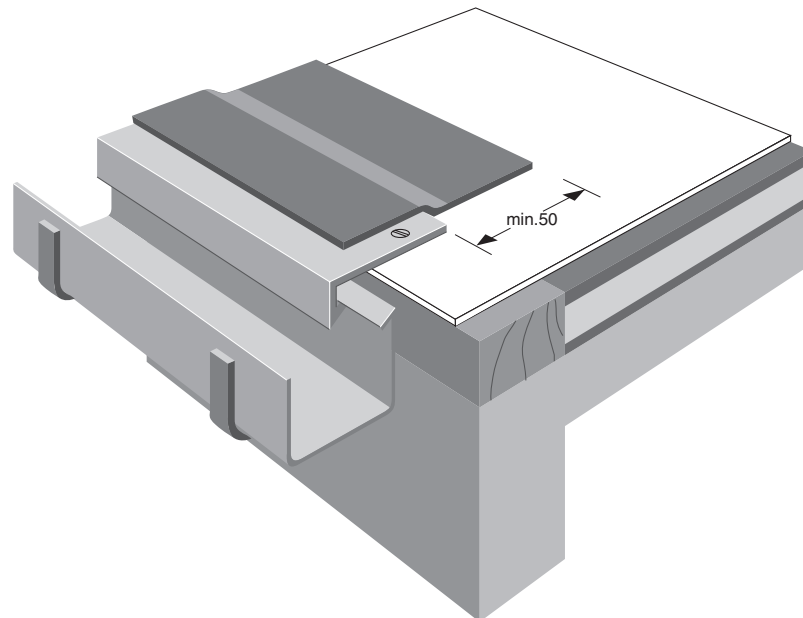


Fig 3.9.3

Concrete external gutters should be flashed with separate strips of EPDM membrane. The flashing membrane should be fully adhered onto the substrate over the full extent of the gutter. Make sure that the flashing strips for the gutter extend a minimum of 200 mm at the internal edge of the gutter, so as to provide sufficient overlap for a batten-in-the-seam detail. The external edge of the gutter must be terminated with a wall termination detail.

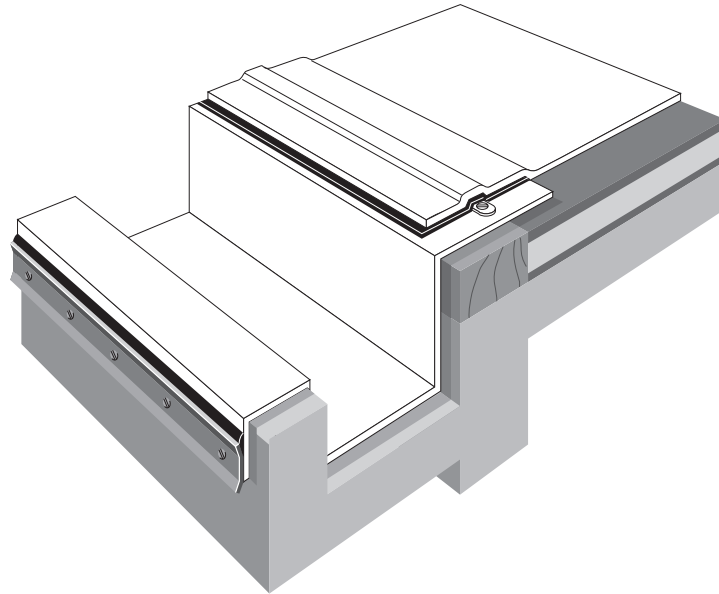


Fig. 3.9.4

Internal gutters are to be flashed with separate strips of EPDM membrane. The flashing membrane needs to be fully adhered onto the substrate over the full extent of the gutter. Where possible avoid seams in the gutter, by using long pieces of membrane. Make sure that the flashing strips extend a minimum of 200 mm at both edges of the gutter, so as to provide sufficient overlap for a batten-in-the-seam detail.

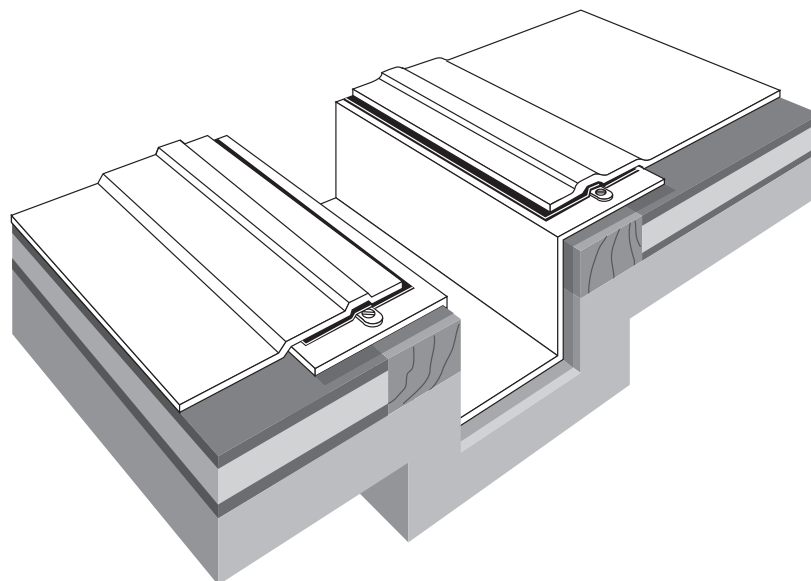


Fig. 3.9.5

3.10 Wall Terminations

■ Applicability

A wall termination detail should be installed as specified by the designer and is applicable at all locations where the EPDM flashing ends at wall or curb upstand. The standard termination details illustrated in this section are applicable for each Firestone EPDM system. Consult Firestone's Technical Department for assistance when specific roof conditions require the design of an alternative detail.

Coping stones, metal copings and metal edge profile details are used for upstands to be completely covered with EPDM flashing. Counterflashing and termination details can be used at upstands that are not flashed over their entire height.

■ Installation Instructions

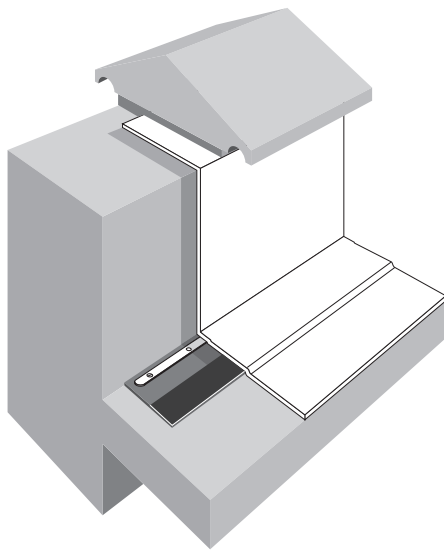


Fig. 3.10.1

Coping stone

Eventually stop the EPDM flashings at a sufficient distance of the wall edge so as to allow a good adhesion of the mortar to the wall without compromising the watertightness of the detail. The EPDM flashing should be fully adhered to the substrate over its entire length.

Metal coping

Install a wood nailer on top of the wall. Allow the EPDM flashing to extend beyond the wall edge by minimum 50 mm and fully adhere it to the wood nailer over its full length. Use galvanised nails with large heads (\varnothing 10 mm) to nail the EPDM flashing 150 mm on centre at the vertical face of the wood nailer. Ensure that the front part of the metal coping extends beyond the underside of the wood nailer by a minimum of 25 mm.

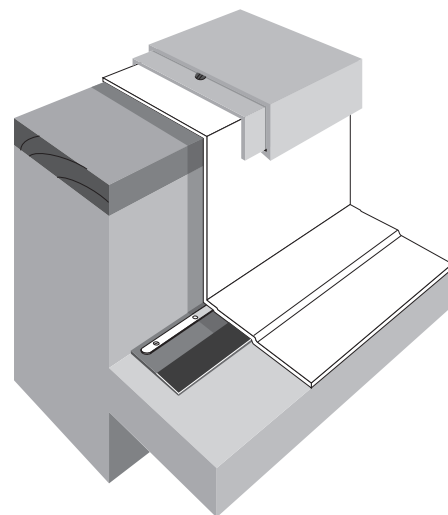


Fig 3.10.2



Metal edge profile

Fasten the metal edge profile at 100 mm centres with appropriate fasteners. Fasten the flange as close as possible to its edge to ensure sufficient overlap of the flashing material at both sides of the fastener. When necessary, clean the membrane and metal edge flange with Splice Wash, following the previously described procedure.

Special considerations should be made for copper edge profiles. Copper may be weathered or coated which could make it difficult to adhere to. Therefore special cleaning techniques should be used to prepare the copper surface. Firestone requires the copper to be scrubbed with acetone or thinner, using clean cotton cloths.

Install the QuickSeam Flashing over the metal flange using QuickPrime Plus, taking care to centre the roll over the fastener heads. Roll the QuickSeam Flashing with a silicone rubber roller and seal all exposed cut edges with Lap Sealant.

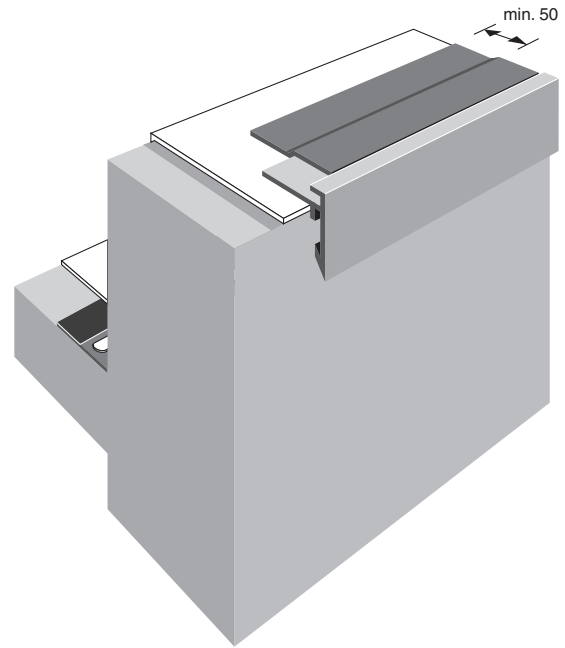


Fig. 3.10.3

Special considerations should be made at the end of a roll, at field splices, corners and where adjoining pieces of metal edge profile overlap. Install a cover piece at all these locations as illustrated.

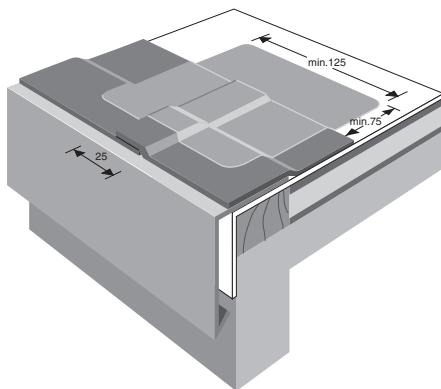


Fig. 3.10.4

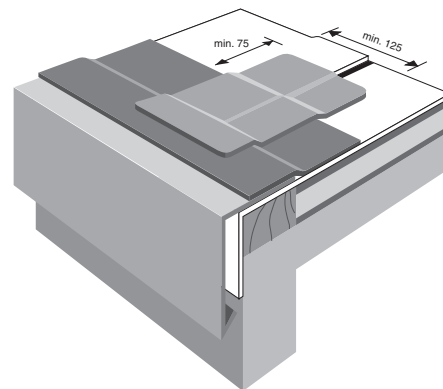


Fig. 3.10.5

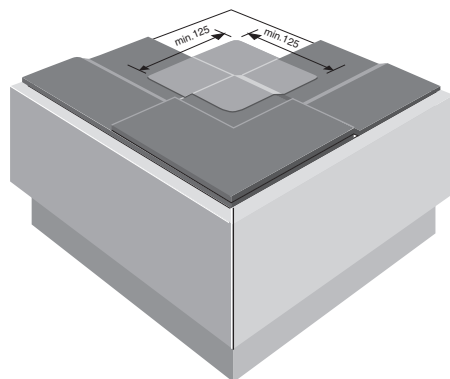


Fig. 3.10.6

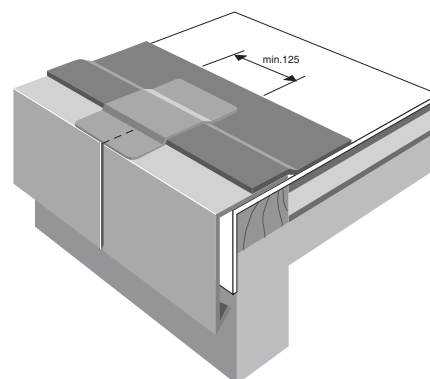


Fig. 3.10.7



The monotrim metal profile edge does not require the above-described flashing method.

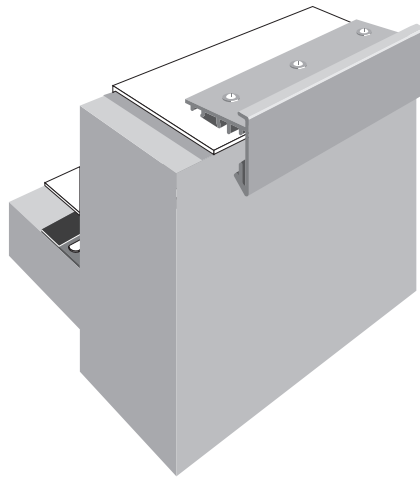


Fig. 3.10.8

Termination Bar

The required height for the EPDM flashing should be determined by local regulations. For situations where this condition cannot be satisfied, Firestone requires that the flashing height exceeds the potential water level of a blocked drain. Suitable substrates for a Termination Bar are concrete, smooth bricks, blocks or masonry. A termination bar may never be mounted to a wooden substrate.

Keep a minimum space of 5 mm between two adjoining bars. The termination bar must be installed directly to the wall surface, not to existing flashings, sheet metal, etc. Pre-drill holes into the brick, masonry or concrete and not into the soft mortar joint. A Termination Bar must be cut at inside and outside corners. Do not bend the bar around the corners. Prior to installation of the Termination Bar, pull back the topside of the membrane flashing 20 mm and apply a bead of Water Block between the membrane and the wall.

Install the Termination Bar with an acceptable hammer plug system at 200 mm o.c.. A continuous compression is required and may need additional fastening. Each Termination Bar must be fastened a maximum of 25 mm from the end.

Apply a bead of Lap Sealant on the topside of the bar. At all locations where base flashings end, install the Termination Bar vertically. Apply Lap Sealant to both sides of the bar.

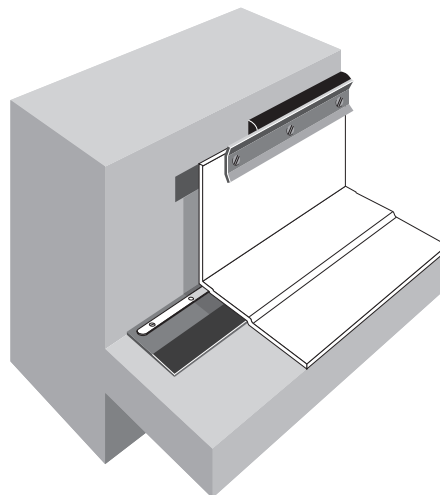


Fig. 3.10.9

Counterflashing



The EPDM flashing must be fully adhered over its entire height and shall be mechanically attached at the top with a metal batten strip. Allow the counterflashing to cover the top of the metal strip by minimum 100 mm.

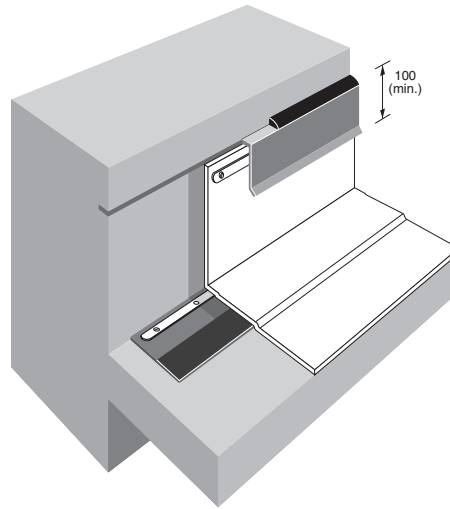


Fig 3.10.10

3.11 Membrane Repair

■ Applicability

Repair of cuts and punctures in the EPDM membrane, contamination of the membrane with hazardous products or wrinkles within 450 mm of a splice.

■ Installation Instructions

Mark the damaged area with a white crayon for rubber, as soon as identified during the installation. The repair must extend a minimum of 75 mm beyond the perimeters of the damaged area in all directions. Round all corners of the repair piece. Pinholes (< 50 mm) in the membrane may be repaired with a cover piece of QuickSeam FormFlash.

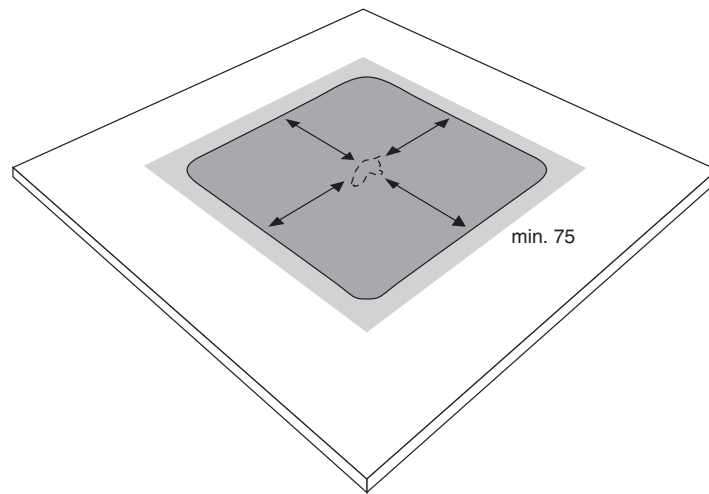


Fig 3.11.1

Cuts and punctures in the EPDM membrane should be repaired with cured membrane. Round all edges of the cut so that it cannot propagate underneath the target piece. If this has been done properly, the target EPDM repair piece can be applied using QuickSeam Tape and QuickPrime Plus. A valid alternative is to fully adhere a piece of QuickSeam SA Flashing using QuickPrime Plus.

When repairing a membrane that has been in service for some time, it is necessary to prepare the surface to be spliced thoroughly prior to starting the splicing operation. Scrub the surface first with a scrubbing brush and warm soapy water, rinse with clean water and dry the surface with clean cotton cloths.

Additional cleaning may be required at heavily contaminated locations. Membrane that has been in contact with hazardous chemical discharges such as fresh bitumen, petroleum products, greases, oils, animal fats, oil based, coal tar based or plastic roof cements needs to be inspected for damage. Remove immediately all excess of the contamination materials and replace the damaged area with a new piece of membrane.

Wrinkles running toward or in a splice or within 450 mm of a splice must be cut out and repaired with a covering piece of cured EPDM membrane without factory seams. Provide a splice that extends a minimum of 75 mm beyond the perimeter of the cut in all directions. Use scissors to cut the wrinkles away, laying them flat on the membrane. Adhere the loose parts of the membrane with QuickPrime Plus and use small silicone rubber roller to roll the edges flat. Clean the area around the cut and repair with a patch of cured membrane.

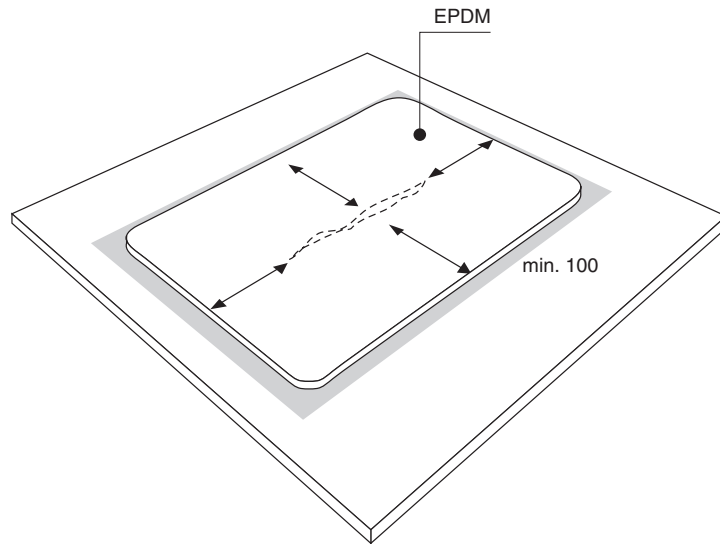


Fig. 3.11.2

3.12 Miscellaneous

In this section information is provided with regard to the following items:

- Roof walkways.
- Coating the EPDM membrane.
- Temporary closure.
- Lightning rod attachments.

■ Roof Walkways

Firestone QuickSeam EPDM Walkway Pads: lay out the pads so that the flat surface is in contact with the completed EPDM membrane. Install each pad with a minimum spacing of 25 mm and a maximum of 150 mm to allow for cross drainage. If the installation of a Walkway Pad is over a field fabricated seam or within 75 mm of a splice edge, cover the seam using QuickSeam FormFlash/Flashing. The QuickSeam FormFlash/Flashing covering piece should extend a minimum of 150 mm beyond the Walkway Pad on either side.

Prepare the mating surface of the EPDM membrane with QuickPrime Plus. Pre-cleaning with Splice Wash may be required. Allow it to flash-off. Ensure that the priming allows the strips beneath the pad to be installed parallel to the slope of the roof. Remove the release paper from the strips, turn the Walkway Pad over and place on to the EPDM membrane. Walk on the pad to press it into place. For loose laid concrete pavers: place a layer of protection mat or an additional layer of EPDM membrane underneath the pavers to isolate them from the roofing membrane. The protection layer must extend a minimum of 50 mm beyond the paver.

■ Coating the EPDM membrane

Firestone EPDM systems do not require any additional protection with paint. If a coating is specified for other reasons, make sure that all repairs are completed prior to its application. Allow the field membrane and flashings to weather for approximately two weeks prior to application of the paint. Clean all membrane surfaces prior to application of the coating using a pressure washer and clean warm water. Refer to product information sheet of the Acrylic Top PC-100 coating for application instructions.

■ Temporary closure

Temporary closures can prevent moisture from damaging the completed section of the new installation. Flashings, Terminations and temporary closures must be completed to provide a watertight condition at the end of each working day.

Mark the free edge of the uncompleted section on the substrate. Fold the membrane back a minimum of 200 mm. Use a chalkline to mark a straight line on the substrate 100 mm within the first marks. Apply a bead of Water Block or Lap Sealant over the chalkline at a rate of 3 lin.m./tube. Let the membrane fall freely into the mastic and install some temporary ballast to put the seam under continuous compression. The next working day, use a chalkline to trim a portion of 200 mm at the end of the membrane.

■ Lightning rod attachment

Refer to the illustrations at the end of this document for additional information.



